

DATA SHEET

Type 2030_2031

Pneumatically operated diaphragm valve with CLASSIC actuator



2/2 way diaphragm valve with pneumatic plastic actuator (Type CLASSIC)

- Valve body and diaphragm are available in various materials and variants
- Product wetted surfaces in $Ra \leq 0.38 \dots \leq 1.6 \mu m$ (optionally electropolished)
- Available in all common connection sizes and variants



Product variants described in the data sheet may differ from the product presentation and description.

Can be combined with

| | |
|---|--|
|  | Type 2034 ▶ Multifunction block and weld solution |
|  | Type 3233 ▶ 2/2 way diaphragm valve with manually operated actuator |
|  | Type 8690 ▶ Pneumatic control for decentralised automation of ELEMENT process valves |
|  | Type 8697 ▶ Pneumatic control for decentralised automation of ELEMENT process valves |

Type description

The externally controlled diaphragm valve Type 2031 consists of a pneumatically operated piston actuator, a diaphragm and a 2-way valve body. The proven and robust actuator with a plastic housing ensures use in hygienic or aggressive ambient conditions. The flow-efficient valve bodies with little dead space enable high flow rates and a wide range of possible uses. The valve body and the diaphragm are available in all common materials and variants. The actuator has a compact, autoclavable design (PPS variant).

The integration of the automation units 8690/8697 is possible in all configuration levels (can be retrofitted). An explosion-proof ATEX / IECEx device variant is available. The add-on body is optionally available in plastic or stainless steel. The actuator is equipped with an integrated, optical position indicator as standard, optionally a min./max. stroke limiter can be installed.

Table of contents

| | |
|--|-----------|
| 1. General technical data | 3 |
| 2. Approvals | 4 |
| 3. Materials | 5 |
| 3.1. Chemical resistance chart – Bürkert resistApp..... | 5 |
| 3.2. Pressure temperature diagram for plastic body..... | 5 |
| 3.3. Material specifications | 6 |
| 3.4. Example of available membrane materials | 7 |
| 4. Dimensions | 7 |
| 4.1. Actuator | 7 |
| CLASSIC actuator..... | 7 |
| CLASSIC actuator with block mounting interface (MT85)..... | 8 |
| CLASSIC actuator with control unit Type 8697 | 9 |
| 4.2. Forged body (VS) with welded connection | 10 |
| 4.3. Forged body (VS) with clamp connection | 12 |
| 4.4. Tube valve body (VP) with welded connection | 13 |
| 4.5. Tube valve body (VP) with clamp connection | 14 |
| 4.6. Tube valve body (VP) with threaded connection..... | 15 |
| 4.7. Tube valve body (VP) with flange connection | 16 |
| 4.8. Cast body (VG) with welded connection | 17 |
| 4.9. Cast body (VG) with clamp connection | 19 |
| 4.10. Plastic body (PV; PD; PP) with spigot connection..... | 20 |
| 4.11. Plastic body (PV, PD, PP) with true union | 21 |
| 4.12. Plastic body (PV, PD, PP) with flange connection | 22 |
| 5. Performance specifications | 23 |
| 5.1. Flow characteristics | 23 |
| Forged body (VS) | 23 |
| Tube valve body (VP) | 23 |
| Cast body (VG)..... | 24 |
| Plastic body (PV; PD; PP) | 24 |
| 5.2. Medium pressure | 24 |
| 6. Product accessories | 25 |
| 7. Networking and combination with other Bürkert products | 26 |
| 8. Ordering information | 27 |
| 8.1. Bürkert eShop – Easy ordering and quick delivery..... | 27 |
| 8.2. Bürkert product filter..... | 27 |
| 8.3. Bürkert product enquiry form | 27 |

1. General technical data

| Product properties | |
|--|---|
| Dimensions | Detailed information can be found in chapter "4. Dimensions" on page 7. |
| Material | |
| Forged body (VS) ^{1,)} | Forged stainless steel 316L/1.4435/BN2, Fe <0.5 %/C ≤0.03 % |
| Tube valve body (VP) ^{1,)} | Stainless steel 316L/1.4435/BN2 |
| Cast body (VG) ^{1,)} | Cast stainless steel 316L/1.4435 |
| Plastic body (PV; PP; PD) ^{1,)} | PVC (PVC-U); PP; PVDF |
| Diaphragm | EPDM (AD) ^{1,)} , PTFE/EPDM (EA) ^{1,)} , advanced PTFE/EPDM (EU) ^{1,)} , Gylon®/EPDM laminated (ER) ^{1,)} |
| Actuator | PPS, PA |
| Diaphragm size | 8...100; for tube valve body 8...50 mm; for plastic body 15...100 |
| Standard surface quality | |
| Forged body (VS) ^{1,)} | Internal electrically polished : Ra ≤0.38 µm (NO17) ^{1,)} (ASME BPE SF4/DIN HE4) (external forged surface electrically polished) Internal mechanically polished : Ra ≤0.5 µm (NO14) ^{1,)} (ASME BPE SF1) (external forged surface) |
| Tube valve body (VP) ^{1,)} | Internal electrically polished : Ra ≤0.38 µm (NO17) ^{1,)} (ASME BPE SF4/DIN HE4) External glass bead blasted: Ra ≤1.6 µm (NO01) ^{1,)} Internal glass bead blasted: Ra ≤1.6 µm (NO05) ^{1,)} |
| Cast body (VG) ^{1,)} | Internal electrically polished : Ra ≤0.6 µm (NO16) ^{1,)} (ASME BPE SF6) (external cast surface electrically polished) Internal mechanically polished : Ra ≤0.76 µm (NO06) ^{1,)} (ASME BPE SF3/DIN H2) (external cast surface) |
| Performance data | |
| Pilot pressure (max.) | 7 bar (for actuator size 40 ^{1,)} ...125 ^{1,)} /PPS) 6 bar (for actuator size 175 ^{1,)} and 225 ^{1,)} /PA) See "5.2. Medium pressure" on page 24 |
| Pilot air port | Thread G ¼; thread G ⅜ for actuator size 40 and 50 |
| Medium data | |
| Process medium | Neutral gases and fluids, highly purified, sterile, aggressive or abrasive medium (see resistance chart ▶) |
| Medium temperature | |
| EPDM (AD) ^{1,)} | -10...+143 °C (steam sterilisation + 150 °C for 60 min) |
| PTFE/EPDM (EA) ^{1,)} | -10...+130 °C (steam sterilisation + 140 °C for 60 min) |
| Advanced PTFE/EPDM (EU) ^{1,)} | -5...+143 °C (steam sterilisation + 150 °C for 60 min) |
| GYLON®/EPDM laminated (ER) ^{1,)} | -5...+130 °C (steam sterilisation + 140 °C for 60 min) |
| Plastic body | See "3.2. Pressure temperature diagram for plastic body" on page 5 |
| Control medium | Neutral gases, air |
| Process/Port connection & communication | |
| Nominal diameter | DN06...DN100 (¼" ... 4") |
| Port connection^{2,)} | |
| For stainless steel body^{3,)} | |
| Welded connection ^{2,)} | DIN EN ISO 1127/ISO 4200/DIN 11866 series B DIN 11850 series 2/DIN 11866 series A/DIN EN 10357 series A ASME BPE/DIN 11866 series C |
| Clamp connection ^{2,)} | DIN 32676 series A (DIN pipe) DIN 32676 series B (ISO pipe) ASME BPE |
| For plastic body | |
| Spigot connection | DN15...DN50 |
| True union | DN15...DN50 |
| Loose flange | DN15...DN65 |
| Fixed flange | DN80...DN100 |

Environment and installation

Installation position See **operating manual** ▶

Ambient temperature^{4.)}





| | |
|----------------------------------|---|
| PPS Actuator size ≤ 80 mm | +5...140°C ^{5.)} |
| PPS Actuator size 100 mm, 125 mm | +5...90 °C (briefly at + 140 °C) ^{5.)} |
| PA Actuator size ≤ 125 mm | -10...+60°C ^{5.)} |
| PA Actuator size ≥ 175 mm | -10...+50°C ^{5.)} |

- 1.) This information is part of the product key (see product enquiry form at the end of this data sheet)
- 2.) Further versions on request
- 3.) Tube valve body (VP) also available with flange and threaded connections
- 4.) With plastic housings temperature limitation by housing material possible
- 5.) For standard version

2. Approvals

Note:

If you need one of these certificates, please contact your Bürkert partner.

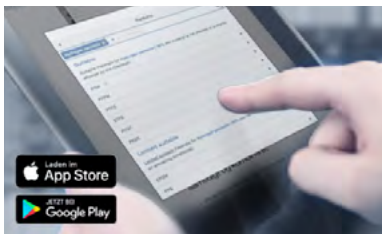
| Approvals/ Conformity/ Certificate ^{1.)} | Description |
|---|--|
|  | ATEX/IECEX^{2.)} EPS 18 ATEX 2 008 X II 2G Ex h IIC T4 Gb/II 2D Ex h IIIC T135 °C Db IECEX EPS 18.0007X Ex h IIC T4 Gb/Ex h IIIC T135 °C Db |
| TA air | TA air ^{3.)} |
|  | 3-A (3-A Sanitary Standards Symbol Administrative Council) ^{4.)} |
|  | The diaphragms made of EPDM (AD), PTFE/EPDM (EA), advanced PTFE/EPDM (EU) and GYLON®/EPDM laminated (ER) are suitable for use with food and beverages (acc. to EC Regulation 1935/2004/EC). |
|  | Diaphragms made of EPDM (AD), PTFE/EPDM (EA), advanced PTFE/EPDM (EU) and GYLON®/EPDM laminated (ER) are acc. to USP Class VI tested. |
| FDA | Diaphragms made of EPDM (AD), PTFE/EPDM (EA), advanced PTFE/EPDM (EU) and GYLON®/EPDM laminated (ER) comply with the Code of Federal Regulations published by the FDA (Food and Drug Administration, USA). |

- 1.) Further approvals/conformity clarification/certificates on request
- 2.) Only in combination with variable code "PX51" (see product enquiry form at the end of this data sheet)
- 3.) Only in combination with variable code "PM01" (see product enquiry form at the end of this data sheet)
- 4.) Only in combination with variable code "PE05" (see product enquiry form at the end of this data sheet)

DTS 1000450587 EN Version: G Status: RL (released | freigegeben | validé) printed: 08.04.2022

3. Materials

3.1. Chemical resistance chart – Bürkert resistApp



Bürkert resistApp – Chemical resistance chart

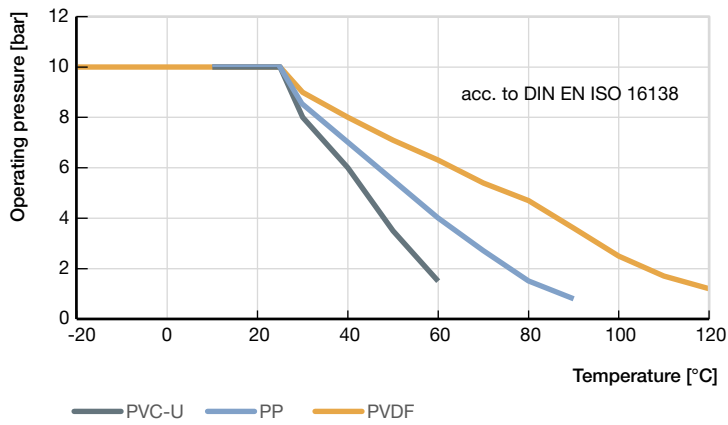
You want to ensure the reliability and durability of the materials in your individual application case? Verify your combination of media and materials on our website or in our resistApp.

[Start Chemical Resistance Check](#)

3.2. Pressure temperature diagram for plastic body

Note:

This information is important for material selection. Observe the permissible operating pressure depending on the medium temperature.

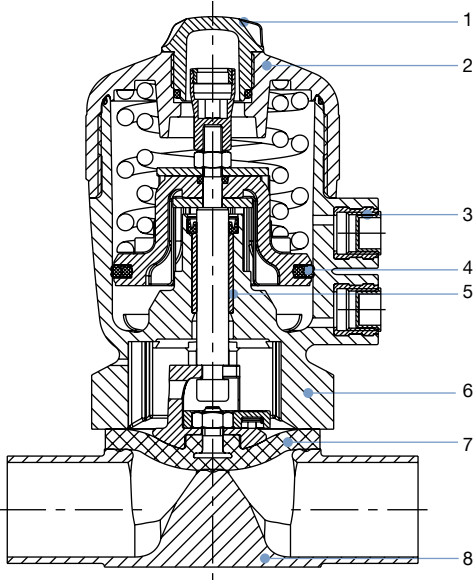


3.3. Material specifications

Actuator size 40...125

Note:

Exemplary representation may differ from the actual product.

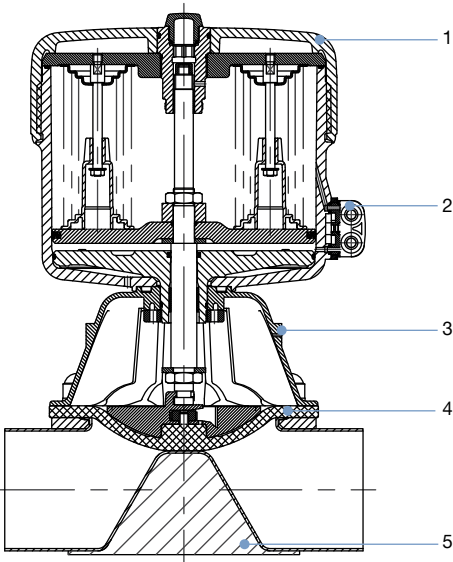


| No. | Element | Material |
|-----|-----------------|---|
| 1 | Transparent cap | Polysulfone PSU |
| 2 | Cover | Polyphenylene sulphide PPS (standard) Polyamide PA (on request) |
| 3 | Pilot air ports | Stainless steel 1.4305 |
| 4 | Piston seal | FKM |
| 5 | Socket | Sinter metal |
| 6 | Interface | Polyphenylene sulphide PPS (Standard) Polyamide PA (on request) Stainless steel 1.4404 (on request) |
| 7 | Diaphragm | EPDM (AD), PTFE/EPDM (EA), ad- vanced PTFE/EPDM (EU), Gylon®/ EPDM laminated (ER) |
| 8 | Valve body | See "1. General technical data" on page 3 |

Actuator size 175 and 225

Note:

Exemplary representation may differ from the actual product.



| No. | Element | Material |
|-----|--------------------|---|
| 1 | Cover | Polyamide PA |
| 2 | Pilot air ports | Stainless steel 1.4305 |
| 3 | Attachment housing | Stainless steel 1.4308 |
| 4 | Diaphragm | EPDM (AD), PTFE/EPDM (EA), ad- vanced PTFE/EPDM (EU), Gylon®/ EPDM laminated (ER) |
| 5 | Valve body | See "1. General technical data" on page 3 |

3.4. Example of available membrane materials

The diaphragms have been developed to meet the unique challenges of hygienic and sterile requirements. Bürkert offers diaphragms with precise material composition and high accuracy. Bürkert diaphragms are available in a wide range of materials which have been tested and proven in applications in the food and beverage, biotechnology, pharmaceutical and cosmetics industries. The diaphragms are tested during development and production to ensure reliability under difficult process conditions.



- EPDM (AD)
- PTFE/EPDM (EA)
- advanced PTFE/EPDM (EU)
- Gylon®/EPDM laminated (ER)

For further information please refer to our flyer "Diaphragm competence for hygienic applications" on our [website](#) ▶.

4. Dimensions

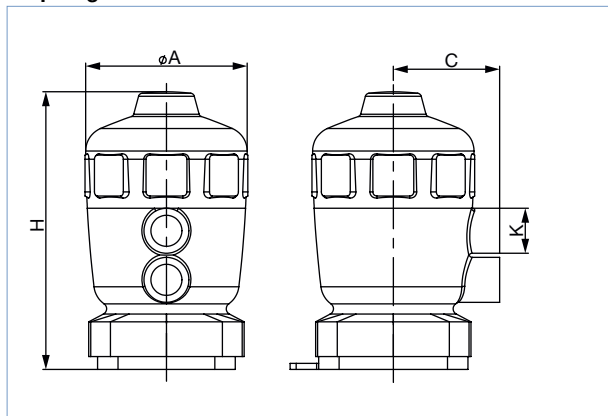
4.1. Actuator

CLASSIC actuator

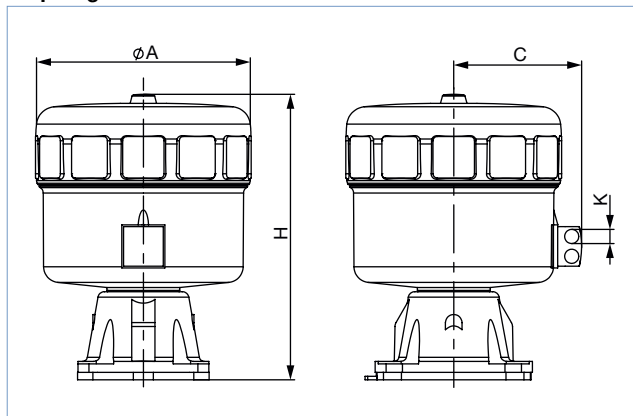
Note:

Dimensions in mm, unless otherwise stated

Diaphragm size 8...50



Diaphragm size 65...100



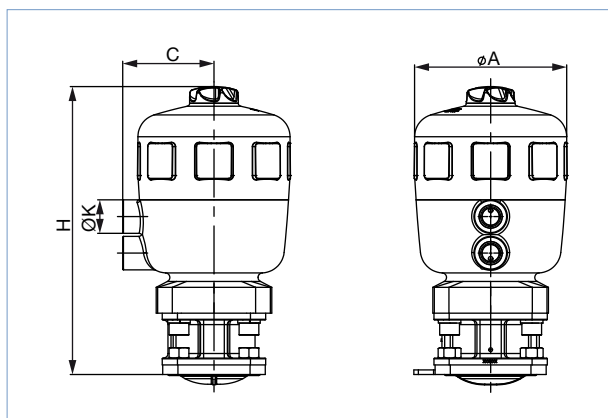
| Diaphragm size | Actuator size Ø | ØA | C | K | H |
|----------------|-----------------|-----|-----|--------|-----|
| 8 | 40(C) | 53 | 34 | G 1/8" | 89 |
| 15 | 50(D) | 64 | 39 | G 1/8" | 108 |
| | 63(E) | 80 | 52 | G 1/4" | 125 |
| 20 | 63(E) | 80 | 52 | G 1/4" | 131 |
| | 80(F) | 101 | 60 | G 1/4" | 152 |
| 25 | 63(E) | 80 | 52 | G 1/4" | 136 |
| | 80(F) | 101 | 60 | G 1/4" | 156 |
| 40 | 100(G) | 127 | 73 | G 1/4" | 205 |
| | 125(H) | 158 | 86 | G 1/4" | 243 |
| 50 | 100(G) | 127 | 73 | G 1/4" | 207 |
| | 125(H) | 158 | 86 | G 1/4" | 242 |
| 65 | 175(K) | 211 | 130 | G 1/4" | 350 |
| 80 | 175(K) | 211 | 130 | G 1/4" | 350 |
| | 225(L) | 261 | 155 | G 1/4" | 345 |
| 100 | 225(L) | 261 | 155 | G 1/4" | 345 |

Type 2030_2031
Pneumatically operated diaphragm
valve with CLASSIC actuator

CLASSIC actuator with block mounting interface (MT85)

Note:

Dimensions in mm, unless otherwise stated



| Diaphragm size | Actuator size Ø | H | ØA | C | K |
|----------------|-----------------|-----|-----|----|--------|
| 8 | 40(C) | 111 | 53 | 34 | G 1/8" |
| 15 | 50(D) | 137 | 64 | 39 | G 1/8" |
| | 63(E) | 154 | 80 | 52 | G 1/4" |
| 20 | 63(E) | 165 | 80 | 52 | G 1/4" |
| | 80(F) | 186 | 101 | 52 | G 1/4" |
| 25 | 63(E) | 170 | 80 | 52 | G 1/4" |
| | 80(F) | 190 | 101 | 60 | G 1/4" |
| 40 | 100(G) | 246 | 127 | 73 | G 1/4" |
| | 125(H) | 284 | 158 | 86 | G 1/4" |
| 50 | 100(G) | 254 | 127 | 73 | G 1/4" |
| | 125(H) | 288 | 158 | 86 | G 1/4" |

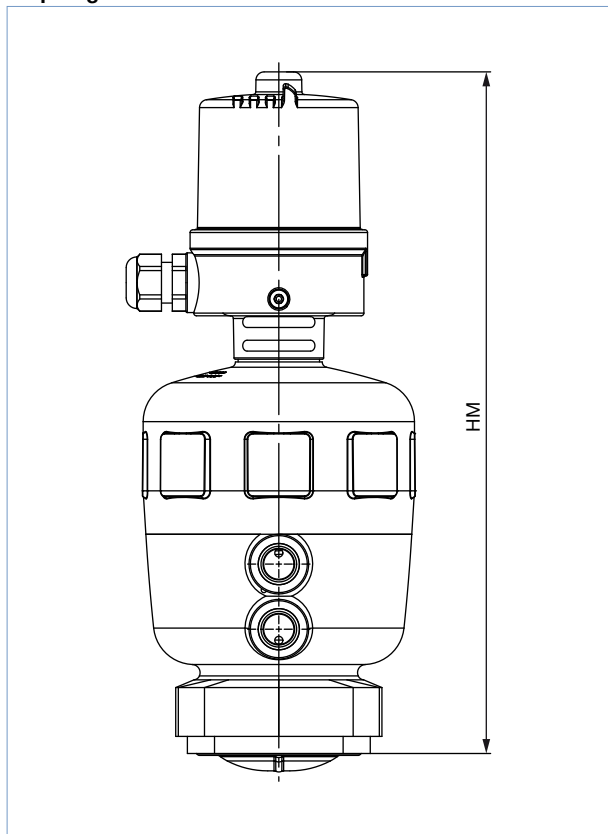
Type 2030_2031
Pneumatically operated diaphragm
valve with CLASSIC actuator

CLASSIC actuator with control unit Type 8697

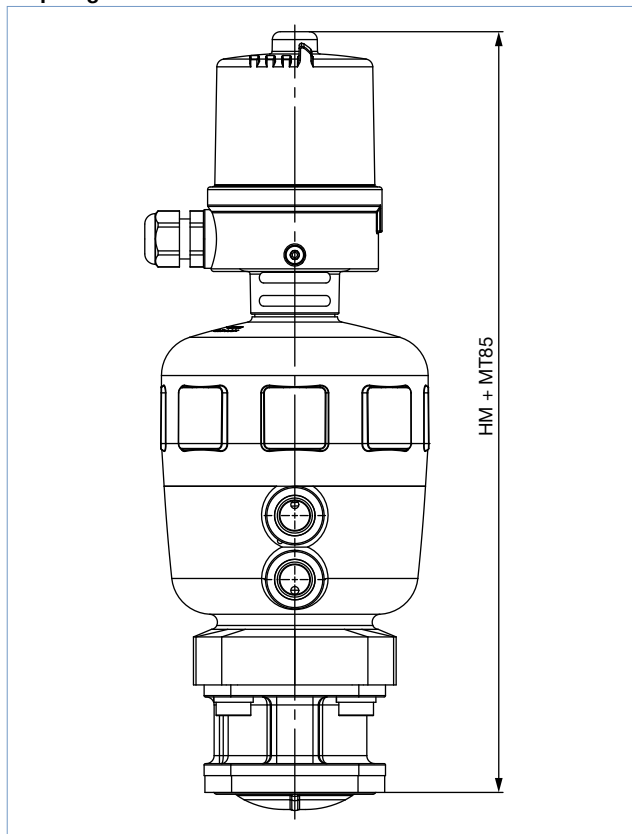
Note:

Dimensions in mm, unless otherwise stated

Control unit
Diaphragm size 8...50



Control unit MT85
Diaphragm size 8...50

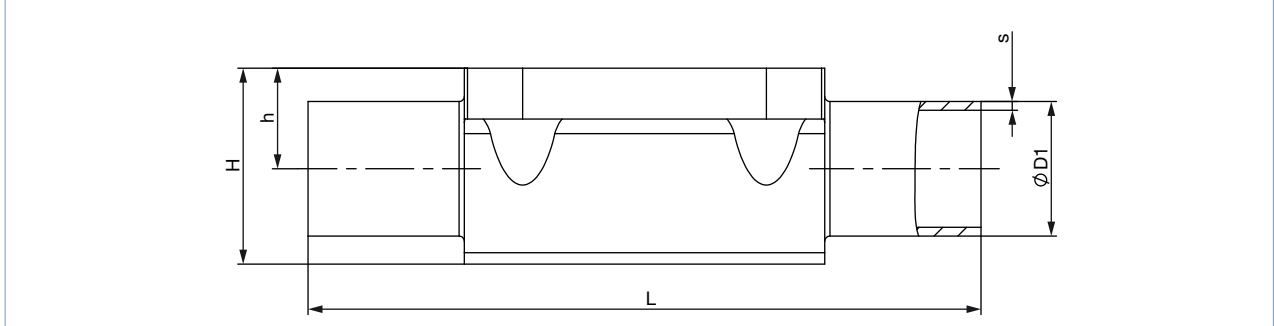


| Diaphragm size | Actuator size Ø | HM | HM + MT85 |
|----------------|-----------------|-----|-----------|
| 8 | 40(C) | 185 | 207 |
| 15 | 50(D) | 204 | 233 |
| | 63(E) | 220 | 249 |
| 20 | 63(E) | 227 | 261 |
| | 80(F) | 247 | 281 |
| 25 | 63(E) | 232 | 266 |
| | 80(F) | 252 | 286 |
| 40 | 100(G) | 298 | 339 |
| | 125(H) | 336 | 377 |
| 50 | 100(G) | 301 | 347 |
| | 125(H) | 335 | 381 |

4.2. Forged body (VS) with welded connection

Note:

- Dimensions in mm, unless otherwise stated
- For detailed information on the draining angle, please refer to the “Additional manual Type 2xxx 3xxx” on our website (see [operating instructions](#) ▶).



| Diaphragm size | Port connection DN | ØD1 | s | L | h | H | Product key ^{1,)} |
|--|--------------------|------|-----|-----|-------|-------|----------------------------|
| DIN EN ISO 1127/ISO 4200/DIN 11866 series B | | | | | | | |
| 8 | 8 | 13.5 | 1.6 | 90 | 9.3 | 18.8 | SA40 |
| 15 | 8 | 13.5 | 1.6 | 108 | 8.15 | 19.85 | SA40 |
| 8 | 10 | 17.2 | 1.6 | 90 | 9.3 | 18.8 | SA41 |
| 15 | 10 | 17.2 | 1.6 | 110 | 12.05 | 23.75 | SA41 |
| 15 | 15 | 21.3 | 1.6 | 110 | 12.05 | 23.75 | SA42 |
| 20 | 15 | 21.3 | 1.6 | 119 | 16 | 30.3 | SA42 |
| 20 | 20 | 26.9 | 1.6 | 119 | 16 | 30.3 | SA43 |
| 25 | 20 | 26.9 | 1.6 | 119 | 19 | 37 | SA43 |
| 25 | 25 | 33.7 | 2.0 | 129 | 19 | 37 | SA44 |
| 40 | 25 | 33.7 | 2.0 | 161 | 27.6 | 52.4 | SA44 |
| 40 | 32 | 42.4 | 2.0 | 161 | 27.6 | 52.4 | SA45 |
| 40 | 40 | 48.3 | 2.0 | 161 | 27.6 | 52.4 | SA46 |
| 50 | 50 | 60.3 | 2.0 | 192 | 35.5 | 68.3 | SA47 |
| 80 | 65 | 76.1 | 2.0 | 250 | 51 | 98.1 | SA48 |
| 80 | 80 | 88.9 | 2.3 | 250 | 51 | 98.1 | SA49 |
| DIN 11850 series 2/DIN 11866 series A/DIN EN 10357 series A | | | | | | | |
| 8 | 10 | 13 | 1.5 | 90 | 9.3 | 18.8 | SD40 |
| 15 | 10 | 13 | 1.5 | 110 | 8.15 | 19.85 | SD40 |
| 15 | 15 | 19 | 1.5 | 110 | 12.05 | 23.75 | SD42 |
| 20 | 20 | 23 | 1.5 | 119 | 16.0 | 30.3 | SD43 |
| 25 | 25 | 29 | 1.5 | 129 | 19.0 | 37.0 | SD44 |
| 40 | 32 | 35 | 1.5 | 161 | 27.6 | 52.4 | SD45 |
| 40 | 40 | 41 | 1.5 | 161 | 27.6 | 52.4 | SD46 |
| 50 | 50 | 53 | 1.5 | 192 | 35.5 | 68.3 | SD47 |
| 80 | 65 | 70 | 2.0 | 250 | 51.0 | 98.1 | SD48 |
| 80 | 80 | 85 | 2.0 | 250 | 51.0 | 98.1 | SD49 |

Type 2030_2031
Pneumatically operated diaphragm
valve with CLASSIC actuator



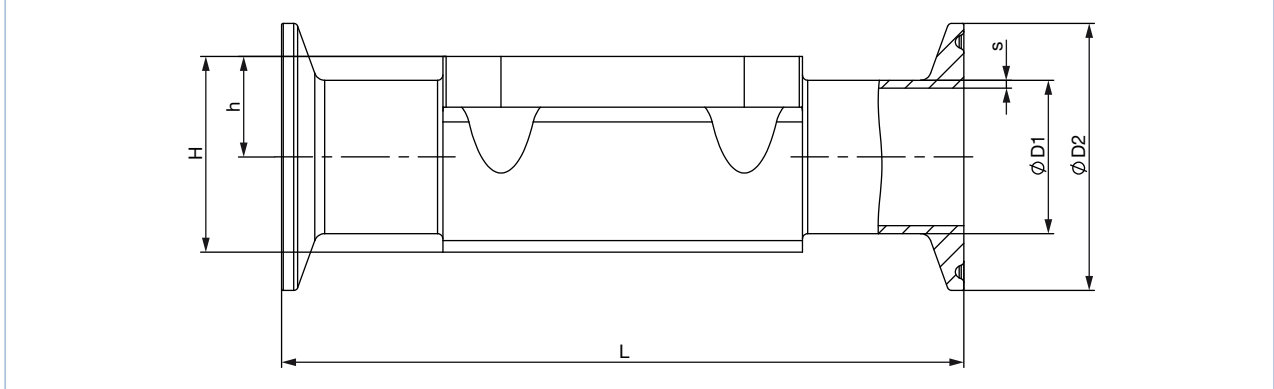
| Diaphragm size | Port connection DN | ØD1 | s | L | h | H | Product key ^{1.)} |
|------------------------------------|--------------------|-------|------|-----|-------|-------|----------------------------|
| ASME BPE/DIN 11866 series C | | | | | | | |
| 8 | ¼" | 6.35 | 0.89 | 78 | 5.7 | 15.2 | SA90 |
| 8 | ⅜" | 9.53 | 0.89 | 89 | 5.7 | 15.2 | SA91 |
| 8 | ½" | 12.7 | 1.65 | 89 | 9.3 | 18.8 | SA92 |
| 15 | ½" | 12.7 | 1.65 | 108 | 8.15 | 19.85 | SA92 |
| 15 | ¾" | 19.05 | 1.65 | 108 | 12.05 | 23.75 | SA93 |
| 20 | ¾" | 19.05 | 1.65 | 117 | 16.0 | 30.3 | SA93 |
| 25 | 1" | 25.4 | 1.65 | 127 | 19.0 | 37.0 | SODF |
| 40 | 1½" | 38.1 | 1.65 | 159 | 27.6 | 52.4 | SODH |
| 50 | 2" | 50.8 | 1.65 | 190 | 35.5 | 68.3 | SODI |
| 50 | 2½" | 63.5 | 1.65 | 192 | 35.5 | 68.6 | SODJ |
| 80 | 2½" | 63.5 | 1.65 | 250 | 51.0 | 98.1 | SODJ |
| 80 | 3" | 76.2 | 1.65 | 250 | 51.0 | 98.1 | SODK |
| BS 4825 | | | | | | | |
| 8 | 8 | 6.35 | 1.20 | 78 | 5.7 | 15.2 | SODB |
| 8 | 10 | 9.53 | 1.20 | 89 | 5.7 | 15.2 | SODC |
| 15 | 15 | 12.7 | 1.20 | 108 | 8.15 | 19.85 | SODD |
| 20 | 20 | 19.05 | 1.20 | 117 | 16.0 | 30.3 | SODE |
| 25 | 25 | 25.4 | 1.65 | 127 | 19.0 | 37.0 | SODF |
| 40 | 40 | 38.1 | 1.65 | 159 | 27.6 | 52.4 | SODH |
| 50 | 50 | 50.8 | 1.65 | 190 | 35.5 | 68.3 | SODI |
| 50 | 65 | 63.5 | 1.65 | 192 | 35.5 | 68.6 | SODJ |
| 80 | 80 | 63.5 | 1.65 | 250 | 51.0 | 98.1 | SODJ |
| 80 | 80 | 76.2 | 1.65 | 250 | 51.0 | 98.1 | SODK |
| SMS 3008 | | | | | | | |
| 25 | 25 | 25 | 1.2 | 129 | 19 | 37 | SA60 |
| 40 | 40 | 38 | 1.2 | 161 | 27.6 | 52.4 | SA62 |
| 50 | 50 | 51 | 1.2 | 192 | 35.5 | 68.3 | SA63 |
| DIN 11850 series 0 | | | | | | | |
| 8 | 6 | 8 | 1.0 | 90 | 5.7 | 15.2 | SC41 |
| 8 | 8 | 10 | 1.0 | 90 | 5.7 | 15.2 | SC42 |

1.) This information is part of the product key (see product enquiry form at the end of this data sheet)

4.3. Forged body (VS) with clamp connection

Note:

- Dimensions in mm, unless otherwise stated
- For detailed information on the draining angle, please refer to the “Additional manual Type 2xxx 3xxx” on our website (see [operating instructions](#) ▶).



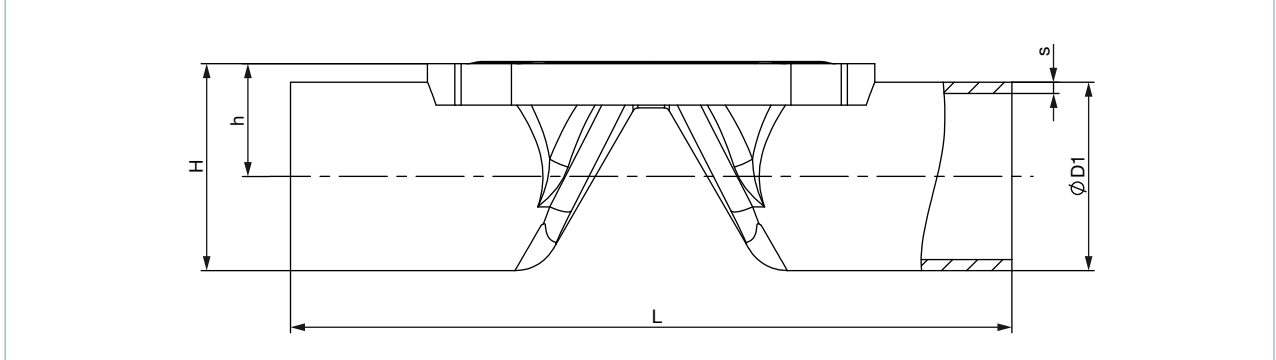
| Diaphragm size | Port connection DN | ØD1 | s | ØD2 | L | h | H | Product key ^{1.)} | Variable code ^{1.)} |
|--------------------------------------|--------------------|-------|------|------|------|-------|-------|----------------------------|------------------------------|
| DIN 32676 series B (ISO pipe) | | | | | | | | | |
| 15 | 15 | 21.3 | 1.6 | 50.5 | 167 | 12.05 | 23.75 | TC53 | – |
| 20 | 20 | 26.9 | 1.6 | 50.5 | 114 | 16.0 | 30.3 | TC43 | – |
| 25 | 25 | 33.7 | 2 | 50.5 | 129 | 19 | 37 | TC44 | – |
| 40 | 40 | 48.3 | 2 | 64.0 | 161 | 27.6 | 52.4 | TC46 | – |
| 50 | 50 | 60.3 | 2 | 77.5 | 190 | 35.5 | 68.3 | TC47 | – |
| DIN 32676 series A (DIN pipe) | | | | | | | | | |
| 8 | 10 | 13 | 1.5 | 34.0 | 126 | 9.3 | 18.8 | TD41 | – |
| 15 | 10 | 13 | 1.5 | 34.0 | 110 | 8.15 | 19.85 | TD41 | – |
| 15 | 15 | 19 | 1.5 | 34.0 | 110 | 12.05 | 23.75 | TD42 | – |
| 20 | 20 | 23 | 1.5 | 34.0 | 119 | 16 | 30.3 | TD43 | – |
| 25 | 25 | 29 | 1.5 | 50.5 | 129 | 19 | 37 | TD44 | – |
| 40 | 40 | 41 | 1.5 | 50.5 | 161 | 27.6 | 52.4 | TD46 | – |
| 50 | 50 | 53 | 1.5 | 64.0 | 192 | 35.5 | 68.3 | TD47 | – |
| ASME BPE | | | | | | | | | |
| 8 | ¼" | 6.35 | 0.89 | 25.0 | 64.5 | 5.7 | 15.2 | TG50 | – |
| 8 | ⅜" | 9.53 | 0.89 | 25.0 | 89 | 5.7 | 15.2 | TG01 | AF34 |
| 8 | ½" | 12.7 | 1.65 | 25.0 | 64 | 9.3 | 18.8 | TG02 | – |
| 8 | ½" | 12.7 | 1.65 | 25.0 | 89 | 9.3 | 18.8 | TG02 | AF34 |
| 15 | ½" | 12.7 | 1.65 | 25.0 | 89 | 8.15 | 19.85 | TG02 | – |
| 15 | ½" | 12.7 | 1.65 | 25.0 | 108 | 8.15 | 19.85 | TG02 | AF34 |
| 15 | ¾" | 19.05 | 1.65 | 25.0 | 89 | 12.05 | 23.75 | TG03 | – |
| 20 | ¾" | 19.05 | 1.65 | 25.0 | 102 | 16 | 30.3 | TG03 | – |
| 20 | ¾" | 19.05 | 1.65 | 25.0 | 117 | 16 | 30.3 | TG03 | AF34 |
| 25 | 1" | 25.4 | 1.65 | 50.5 | 114 | 19 | 37 | TG04 | – |
| 25 | 1" | 25.4 | 1.65 | 50.5 | 127 | 19 | 37 | TG04 | AF34 |
| 40 | 1½" | 38.1 | 1.65 | 50.5 | 140 | 27.6 | 52.4 | TG05 | – |
| 40 | 1½" | 38.1 | 1.65 | 50.5 | 159 | 27.6 | 52.4 | TG05 | AF34 |
| 50 | 2" | 50.8 | 1.65 | 64.0 | 159 | 35.5 | 68.3 | TG06 | – |
| 50 | 2" | 50.8 | 1.65 | 64.0 | 190 | 35.5 | 68.3 | TG06 | AF34 |
| 65 | 2½" | 63.5 | 1.65 | 77.5 | 249 | 43 | 83.5 | TG07 | – |
| 80 | 2½" | 63.5 | 1.65 | 77.5 | 216 | 51 | 98.1 | TG07 | – |
| 80 | 3" | 76.2 | 1.65 | 91.0 | 222 | 51 | 98.1 | TG08 | – |

1.) This information is part of the product key (see product enquiry form at the end of this data sheet)

4.4. Tube valve body (VP) with welded connection

Note:

- Dimensions in mm, unless otherwise stated
- For detailed information on the draining angle, please refer to the “Additional manual Type 2xxx 3xxx” on our website (see [operating instructions](#) ▶).



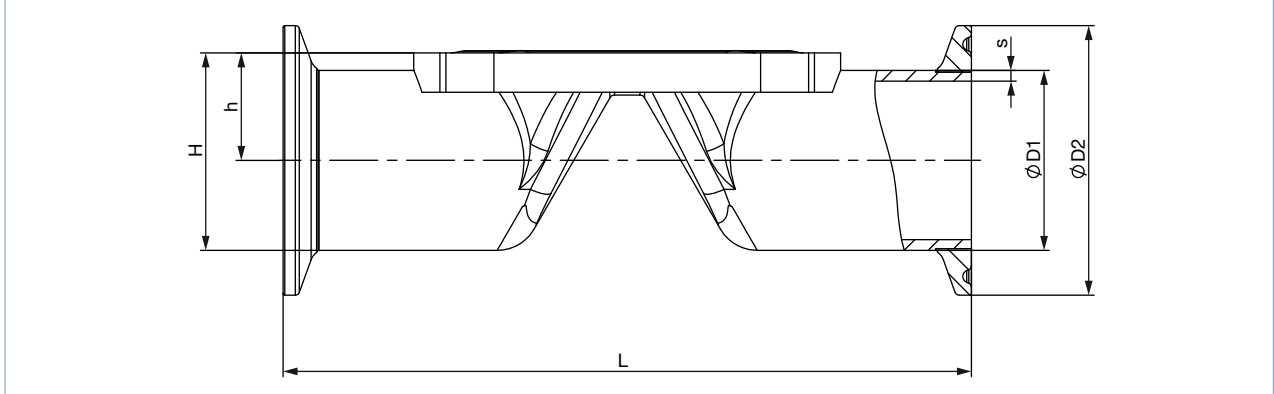
| Diaphragm size | Port connection DN | ØD1 | s | L | h | H | Product key ^{1.)} |
|--|--------------------|-------|------|-------|-------|-------|----------------------------|
| DIN EN ISO 1127/ISO 4200/DIN 11866 series B | | | | | | | |
| 8 | 8 | 13.5 | 1.6 | 90.0 | 9.85 | 16.6 | SA40 |
| 8 | 10 | 17.2 | 1.6 | 90.0 | 11.70 | 20.3 | SA41 |
| 15 | 15 | 21.3 | 1.6 | 110.0 | 14.35 | 25.0 | SA42 |
| 20 | 20 | 26.9 | 1.6 | 119.0 | 17.15 | 30.45 | SA43 |
| 25 | 25 | 33.7 | 2.0 | 129.0 | 20.55 | 37.4 | SA44 |
| 32 | 32 | 42.4 | 2.0 | 148.0 | 25.10 | 46.3 | SA45 |
| 40 | 40 | 48.3 | 2.0 | 161.0 | 29.35 | 53.5 | SA46 |
| 50 | 50 | 60.3 | 2.0 | 192.0 | 35.35 | 65.50 | SA47 |
| DIN 11850 series 2/DIN 11866 series A/DIN EN 10357 series A | | | | | | | |
| 8 | 10 | 13 | 1.5 | 90 | 9.85 | 16.35 | SD40 |
| 15 | 15 | 19 | 1.5 | 110 | 13.20 | 22.70 | SD42 |
| 15 | 20 | 23 | 1.5 | 119 | 15.20 | 26.70 | SD43 |
| 20 | 25 | 29 | 1.5 | 129 | 18.20 | 32.70 | SD44 |
| 25 | 32 | 35 | 1.5 | 148 | 21.20 | 38.70 | SD45 |
| 32 | 40 | 41 | 1.5 | 161 | 24.40 | 44.90 | SD46 |
| 40 | 50 | 53 | 1.5 | 192 | 31.70 | 58.20 | SD47 |
| ASME BPE/DIN 11866 series C | | | | | | | |
| 8 | ½" | 12.7 | 1.65 | 90.0 | 9.45 | 21.95 | SA92 |
| 15 | ¾" | 19.05 | 1.65 | 117.0 | 13.23 | 25.73 | SA93 |
| 20 | 1" | 25.4 | 1.65 | 127.0 | 16.40 | 41.65 | SODF |
| 32 | 1½" | 38.1 | 1.65 | 159.0 | 22.95 | 48.20 | SODH |
| 40 | 2" | 50.8 | 1.65 | 190 | 30.60 | 62.60 | SODI |
| 50 | 2½" | 63.5 | 1.65 | 192 | 37.35 | 69.1 | SODJ |
| 65 | 3" | 76.2 | 1.65 | 250 | 46.3 | 84.4 | SODK |
| 80 | 4" | 101.6 | 2.11 | 295 | 60 | 110.8 | SODL |

1.) This information is part of the product key (see product enquiry form at the end of this data sheet)

4.5. Tube valve body (VP) with clamp connection

Note:

- Dimensions in mm, unless otherwise stated
- For detailed information on the draining angle, please refer to the “Additional manual Type 2xxx 3xxx” on our website (see [operating instructions](#) ▶).



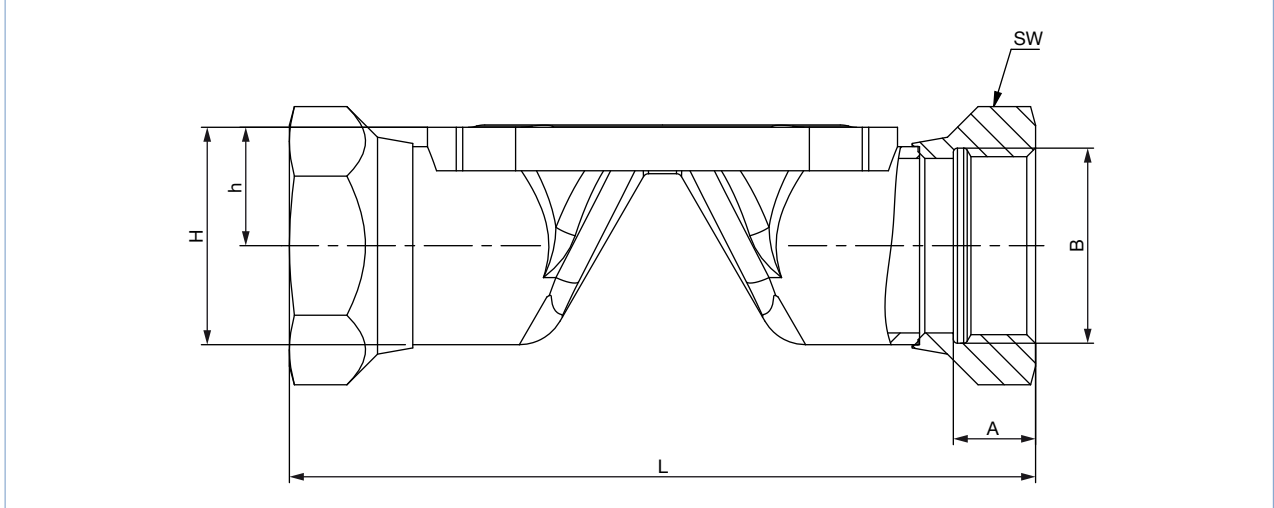
| Diaphragm size | Port connection DN | ØD1 | s | ØD2 | L | h | H | Product key ^{1.)} |
|--------------------------------------|--------------------|-------|------|------|-----|-------|-------|----------------------------|
| DIN 32676 series B (ISO pipe) | | | | | | | | |
| 8 | 8 | 13.5 | 1.6 | 25.0 | 89 | 9.85 | 22.35 | TC40 |
| 8 | 10 | 17.2 | 1.6 | 25.0 | 89 | 11.70 | 24.20 | TC53 |
| 15 | 15 | 21.3 | 1.6 | 50.5 | 110 | 14.35 | 39.60 | TC52 |
| 20 | 20 | 26.9 | 1.6 | 50.5 | 119 | 17.15 | 42.40 | TC43 |
| 25 | 25 | 33.7 | 2.0 | 50.5 | 129 | 20.55 | 45.80 | TC44 |
| 32 | 32 | 42.4 | 2.0 | 64.0 | 148 | 25.10 | 57.10 | TC55 |
| 40 | 40 | 48.3 | 2.0 | 64.0 | 161 | 29.35 | 61.35 | TC46 |
| 50 | 50 | 60.3 | 2.0 | 77.5 | 192 | 35.35 | 74.10 | TC47 |
| DIN 32676 series A (DIN pipe) | | | | | | | | |
| 8 | 10 | 13.0 | 1.5 | 34.0 | 89 | 9.85 | 26.85 | TD41 |
| 15 | 15 | 19.0 | 1.5 | 34.0 | 110 | 13.2 | 30.20 | TD42 |
| 15 | 20 | 23.0 | 1.5 | 34.0 | 119 | 15.20 | 32.20 | TD43 |
| 20 | 25 | 29.0 | 1.5 | 50.5 | 129 | 18.20 | 43.45 | TD44 |
| 25 | 32 | 35.0 | 1.5 | 50.5 | 148 | 21.20 | 46.45 | TD45 |
| 32 | 40 | 41.0 | 1.5 | 50.5 | 161 | 24.40 | 49.65 | TD46 |
| 40 | 50 | 53.0 | 1.5 | 64.0 | 192 | 31.70 | 63.70 | TD47 |
| ASME BPE | | | | | | | | |
| 8 | ½" | 12.7 | 1.65 | 25.0 | 89 | 9.45 | 21.95 | TG02 |
| 15 | ¾" | 19.05 | 1.65 | 25.0 | 102 | 13.20 | 25.73 | TG03 |
| 20 | 1" | 25.4 | 1.65 | 50.5 | 114 | 16.40 | 41.65 | TG04 |
| 32 | 1½" | 38.10 | 1.65 | 50.5 | 140 | 22.95 | 48.20 | TG05 |
| 40 | 2" | 50.80 | 1.65 | 64.0 | 159 | 30.60 | 62.60 | TG06 |
| 50 | 2½" | 63.5 | 1.65 | 77.5 | 190 | 37.35 | 69.1 | TG07 |

1.) This information is part of the product key (see product enquiry form at the end of this data sheet)

4.6. Tube valve body (VP) with threaded connection

Note:

- Dimensions in mm, unless otherwise stated
- For detailed information on the draining angle, please refer to the “Additional manual Type 2xxx 3xxx” on our website (see [operating instructions](#) ▶).



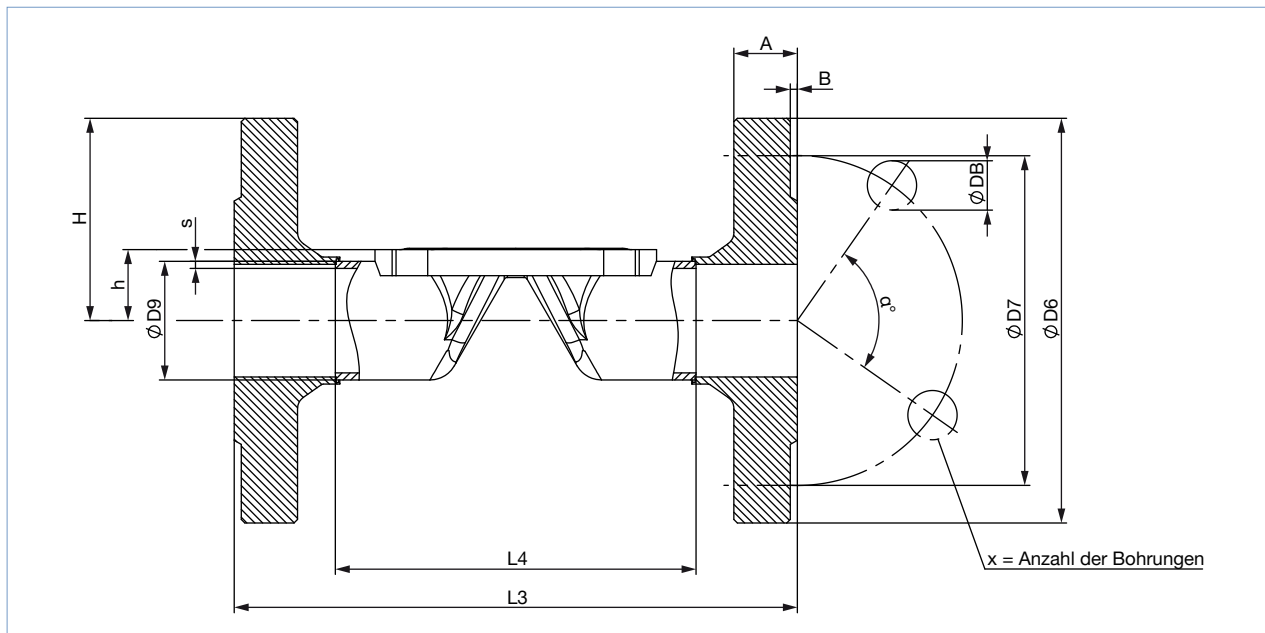
| Diaphragm size | L | A | B | h | H | Spanner width of threaded ports | Product key ^{1.)} |
|----------------|-----|------|--------|-------|-------|---------------------------------|----------------------------|
| 08 | 85 | 9 | G ¼ | 11.70 | 20.3 | 17 | GM82 |
| 15 | 102 | 14 | G ½ | 14.35 | 25.0 | 27 | GM84 |
| 20 | 118 | 12 | G ¾ | 17.15 | 30.45 | 32 | GM85 |
| 25 | 127 | 14 | G 1 | 20.55 | 37.4 | 41 | GM86 |
| 32 | 146 | 16 | G 1¼ | 25.10 | 46.3 | 50 | GM87 |
| 40 | 159 | 18 | G 1½ | 29.35 | 53.5 | 60 | GM88 |
| 50 | 191 | 20 | G 2 | 35.35 | 65.50 | 70 | GM89 |
| Diaphragm size | L | A | B | h | H | Spanner width of threaded ports | Product key ^{1.)} |
| 08 | 85 | 9.7 | Rc ¼ | 11.70 | 20.3 | 17 | RC82 |
| 15 | 102 | 13.2 | Rc ½ | 14.35 | 25.0 | 27 | RC84 |
| 20 | 118 | 14.5 | Rc ¾ | 17.15 | 30.45 | 32 | RC85 |
| 25 | 127 | 16.8 | Rc 1 | 20.55 | 37.4 | 41 | RC86 |
| 32 | 146 | 19.1 | Rc 1¼ | 25.10 | 46.3 | 50 | RC87 |
| 40 | 159 | 19.1 | Rc 1½ | 29.35 | 53.5 | 60 | RC88 |
| 50 | 191 | 23.4 | Rc 2 | 35.35 | 65.50 | 70 | RC89 |
| Diaphragm size | L | A | B | h | H | Spanner width of threaded ports | Product key ^{1.)} |
| 08 | 85 | 10 | NPT ¼ | 11.70 | 20.3 | 17 | NM82 |
| 15 | 102 | 13.7 | NPT ½ | 14.35 | 25.0 | 27 | NM84 |
| 20 | 118 | 14 | NPT ¾ | 17.15 | 30.45 | 32 | NM85 |
| 25 | 127 | 16.8 | NPT 1 | 20.55 | 37.4 | 41 | NM86 |
| 32 | 146 | 17.3 | NPT 1¼ | 25.10 | 46.3 | 50 | NM87 |
| 40 | 159 | 17.3 | NPT 1½ | 29.35 | 53.5 | 60 | NM88 |
| 50 | 191 | 17.6 | NPT 2 | 35.35 | 65.50 | 70 | NM89 |

1.) This information is part of the product key (see product enquiry form at the end of this data sheet)

4.7. Tube valve body (VP) with flange connection

Note:

- Dimensions in mm, unless otherwise stated
- For detailed information on the draining angle, please refer to the “Additional manual Type 2xxx 3xxx” on our website (see [operating instructions](#) ▶).



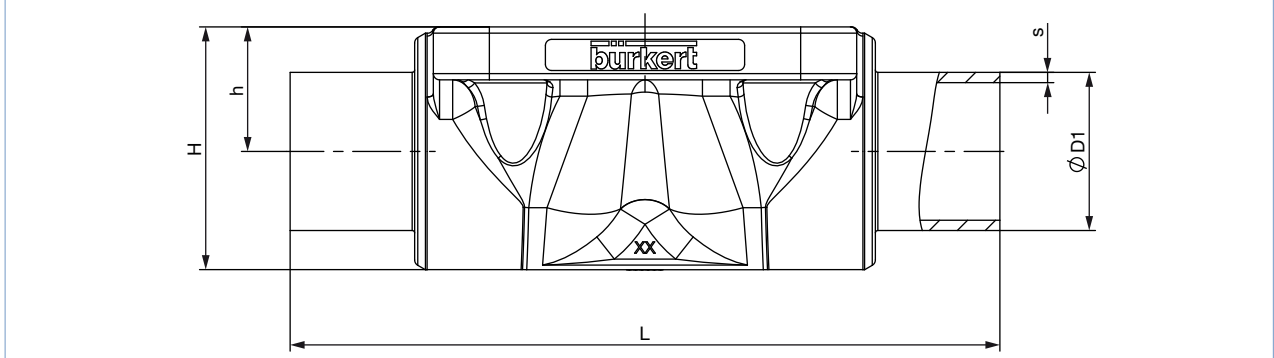
| Diaphragm size | L4 | L3 | s3 | ØD9 | ØD6 | ØD7 | a° | ØDB | A | B | X | Product key ^{1.)} |
|----------------------|-------|-----|-----|------|-------|-------|----|------|------|-----|---|----------------------------|
| DIN EN 1092-1 | | | | | | | | | | | | |
| 15 | 76.5 | 130 | 1.6 | 21.3 | 76.5 | 65.0 | 90 | 14 | 16 | 2 | 4 | FD22 |
| 20 | 92.5 | 150 | 1.6 | 26.9 | 92.5 | 75.0 | 90 | 14 | 18 | 2 | 4 | FD23 |
| 25 | 102.5 | 160 | 2.0 | 33.7 | 102.5 | 85.0 | 90 | 14 | 18 | 2 | 4 | FD24 |
| 32 | 122.5 | 180 | 2.0 | 42.4 | 122.5 | 100.0 | 90 | 18 | 18 | 2 | 4 | FD25 |
| 40 | 136.5 | 200 | 2.0 | 48.3 | 136.5 | 110.0 | 90 | 18 | 18 | 3 | 4 | FD26 |
| 50 | 160.5 | 230 | 2.0 | 60.3 | 160.5 | 125.0 | 90 | 18 | 20 | 3 | 4 | FD27 |
| ANSI B16.5 | | | | | | | | | | | | |
| 15 | 67.0 | 130 | 1.6 | 21.3 | 89 | 60.5 | 90 | 15.7 | 11.2 | 1.6 | 4 | FA02 |
| 25 | 106.0 | 160 | 2.0 | 33.7 | 108 | 79.2 | 90 | 15.7 | 14.2 | 1.6 | 4 | FA04 |
| 40 | 128.0 | 200 | 2.0 | 48.3 | 127 | 98.6 | 90 | 15.7 | 17.5 | 1.6 | 4 | FA06 |
| 50 | 151.0 | 230 | 2.0 | 60.3 | 152 | 120.7 | 90 | 19.1 | 19.1 | 1.6 | 4 | FA07 |
| JIS 10K | | | | | | | | | | | | |
| 15 | 89 | 130 | 1.6 | 21.3 | 95 | 70 | 90 | 15 | 12 | 1 | 4 | FJ01 |
| 20 | 103 | 150 | 1.6 | 26.9 | 100 | 75 | 90 | 15 | 14 | 1 | 4 | FJ02 |
| 25 | 116 | 160 | 2.0 | 33.7 | 125 | 90 | 90 | 19 | 14 | 1 | 4 | FJ03 |
| 40 | 147 | 200 | 2.0 | 48.3 | 140 | 105 | 90 | 19 | 16 | 2 | 4 | FJ05 |
| 50 | 175 | 230 | 2.0 | 60.3 | 155 | 120 | 90 | 19 | 16 | 2 | 4 | FJ06 |

1.) This information is part of the product key (see product enquiry form at the end of this data sheet)

4.8. Cast body (VG) with welded connection

Note:

- Dimensions in mm, unless otherwise stated
- For detailed information on the draining angle, please refer to the “Additional manual Type 2xxx 3xxx” on our website (see [operating instructions](#) ▶).



| Diaphragm size | Port connection DN | ØD1 | s | L | h | H | Product key ¹⁾ |
|--|--------------------|-------|------|------|------|-------|---------------------------|
| DIN EN ISO 1127/ISO 4200/DIN 11866 series B | | | | | | | |
| 8 | 8 | 13.5 | 1.6 | 90 | 9.6 | 18.5 | SA40 |
| 8 | 10 | 17.2 | 1.6 | 90 | 9.6 | 18.6 | SA41 |
| 15 | 15 | 21.3 | 1.6 | 110 | 13.5 | 25.0 | SA42 |
| 20 | 15 | 21.3 | 1.6 | 119 | 18.0 | 32.9 | SA42 |
| 20 | 20 | 26.9 | 1.6 | 119 | 18.0 | 32.7 | SA43 |
| 25 | 25 | 33.7 | 2.0 | 129 | 20.0 | 39.0 | SA44 |
| 40 | 32 | 42.4 | 2.0 | 161 | 28.6 | 55.0 | SA45 |
| 40 | 40 | 48.3 | 2.0 | 161 | 28.6 | 55.0 | SA46 |
| 50 | 50 | 60.3 | 2.0 | 192 | 35.5 | 68.0 | SA47 |
| 65 | 65 | 76.1 | 2.0 | 192 | 43.0 | 82.0 | SA48 |
| 80 | 80 | 76.1 | 2.0 | 250 | 51.0 | 101.0 | SA48 |
| 80 | 80 | 88.9 | 2.3 | 250 | 51.0 | 101.0 | SA49 |
| 100 | 100 | 114.3 | 2.3 | 295 | 63.5 | 123.5 | SA39 |
| DIN 11850 series 2/DIN 11866 series A/DIN EN 10357 series A | | | | | | | |
| 8 | 10 | 13 | 1.5 | 90 | 9.6 | 18.6 | SD40 |
| 15 | 15 | 19 | 1.5 | 110 | 13.5 | 25.0 | SD42 |
| 20 | 20 | 23 | 1.5 | 119 | 18.0 | 32.8 | SD43 |
| 25 | 25 | 29 | 1.5 | 129 | 20.0 | 39.0 | SD44 |
| 40 | 40 | 41 | 1.5 | 161 | 28.6 | 55.0 | SD46 |
| 50 | 50 | 53 | 1.5 | 192 | 35.5 | 68.0 | SD47 |
| 65 | 65 | 70 | 2.0 | 192 | 43.0 | 82.0 | SD48 |
| 80 | 80 | 85 | 2.0 | 250 | 51.0 | 101.0 | SD49 |
| 100 | 100 | 104 | 2.0 | 295 | 63.5 | 123.5 | SD50 |
| ASME BPE/DIN 11866 series C | | | | | | | |
| 8 | ¼" | 6.35 | 0.89 | 64.5 | 9.6 | 18.6 | SA90 |
| 8 | ⅜" | 9.53 | 0.89 | 89 | 9.6 | 18.6 | SA91 |
| 8 | ½" | 12.7 | 1.65 | 89 | 9.6 | 18.6 | SA92 |
| 15 | ¾" | 19.05 | 1.65 | 102 | 13.5 | 25.0 | SA93 |
| 20 | ¾" | 19.05 | 1.65 | 119 | 18.0 | 32.8 | SA93 |
| 20 | 1" | 25.4 | 1.65 | 119 | 18.0 | 32.7 | SODF |
| 25 | 1" | 25.4 | 1.65 | 114 | 20.0 | 39.0 | SODF |
| 40 | 1½" | 38.1 | 1.65 | 140 | 28.6 | 55.0 | SODH |
| 50 | 2" | 50.8 | 1.65 | 159 | 35.5 | 68.0 | SODI |
| 50 | 2½" | 63.5 | 1.65 | 192 | 35.5 | 68.0 | SODJ |
| 65 | 2½" | 63.5 | 1.65 | 192 | 43.0 | 82.0 | SODJ |
| 80 | 3" | 76.2 | 1.65 | 250 | 51.0 | 101.0 | SODK |
| 100 | 4" | 101.6 | 2.11 | 295 | 63.5 | 123.5 | SODL |

Type 2030_2031
Pneumatically operated diaphragm
valve with CLASSIC actuator



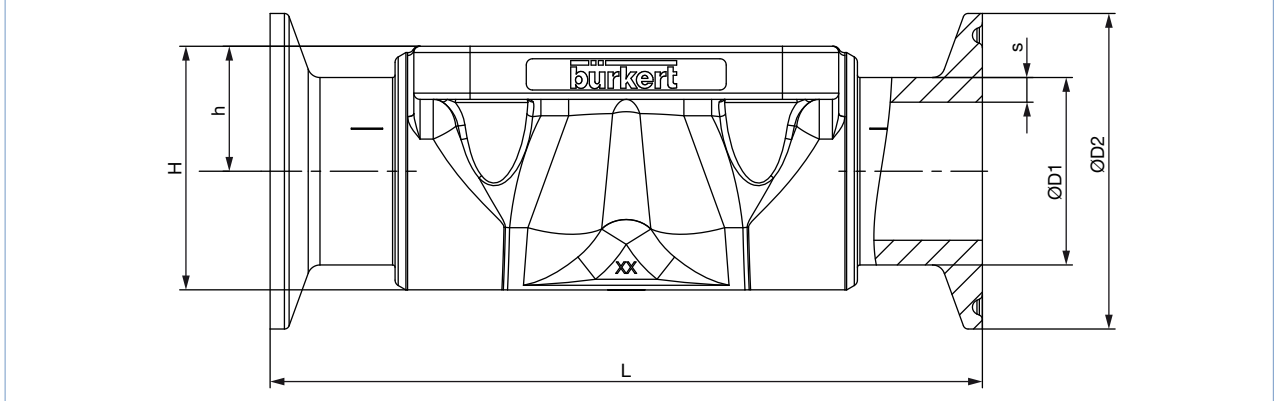
| Diaphragm size | Port connection DN | ØD1 | s | L | h | H | Product key ^{1.)} |
|---------------------------|--------------------|-------|------|------|------|-------|----------------------------|
| BS 4825 | | | | | | | |
| 8 | 8 | 6.35 | 1.20 | 64.5 | 9.6 | 18.6 | SODB |
| 8 | 10 | 9.53 | 1.20 | 89 | 9.6 | 18.6 | SODC |
| 8 | 15 | 12.7 | 1.20 | 89 | 9.6 | 18.6 | SODD |
| 15 | 20 | 19.05 | 1.20 | 102 | 14.0 | 25.5 | SODE |
| 20 | 25 | 25.4 | 1.65 | 119 | 18.0 | 32.8 | SODF |
| 25 | 25 | 25.4 | 1.65 | 114 | 20.0 | 39.0 | SODF |
| 40 | 40 | 38.1 | 1.65 | 140 | 28.6 | 55.0 | SODH |
| 50 | 50 | 50.8 | 1.65 | 159 | 35.5 | 68.0 | SODI |
| 50 | 65 | 63.5 | 1.65 | 192 | 35.5 | 68.0 | SODJ |
| 65 | 65 | 63.5 | 1.65 | 192 | 43.0 | 82.0 | SODJ |
| 80 | 80 | 76.2 | 1.65 | 250 | 51.0 | 101.0 | SODK |
| 100 | 100 | 101.6 | 2.11 | 295 | 63.5 | 123.5 | SODL |
| SMS 3008 | | | | | | | |
| 20 | 25 | 25 | 1.2 | 119 | 18.0 | 32.8 | SA60 |
| 25 | 25 | 25 | 1.2 | 129 | 20.0 | 39.0 | SA60 |
| 40 | 40 | 38 | 1.2 | 161 | 28.6 | 55.0 | SA62 |
| 50 | 50 | 51 | 1.2 | 192 | 35.5 | 68.0 | SA63 |
| DIN 11850 series 0 | | | | | | | |
| 8 | 4 | 6 | 1.0 | 90 | 9.6 | 18.6 | SC40 |
| 8 | 6 | 8 | 1.0 | 90 | 9.6 | 18.6 | SC41 |
| 8 | 8 | 10 | 1.0 | 90 | 9.6 | 18.6 | SC42 |
| 15 | 15 | 18 | 1.5 | 110 | 13.5 | 25.0 | SC43 |
| 20 | 20 | 22 | 1.5 | 119 | 18.0 | 32.8 | SC44 |
| 25 | 25 | 28 | 1.5 | 129 | 20.0 | 39.0 | SC45 |
| 25 | 32 | 34 | 1.5 | 129 | 20.0 | 39.0 | SC46 |
| 40 | 40 | 40 | 1.5 | 161 | 28.6 | 56.0 | SC47 |
| 50 | 50 | 52 | 1.5 | 192 | 35.5 | 68.0 | SC48 |

1.) This information is part of the product key (see product enquiry form at the end of this data sheet)

4.9. Cast body (VG) with clamp connection

Note:

- Dimensions in mm, unless otherwise stated
- For detailed information on the draining angle, please refer to the “Additional manual Type 2xxx 3xxx” on our website (see **operating instructions** ▶).



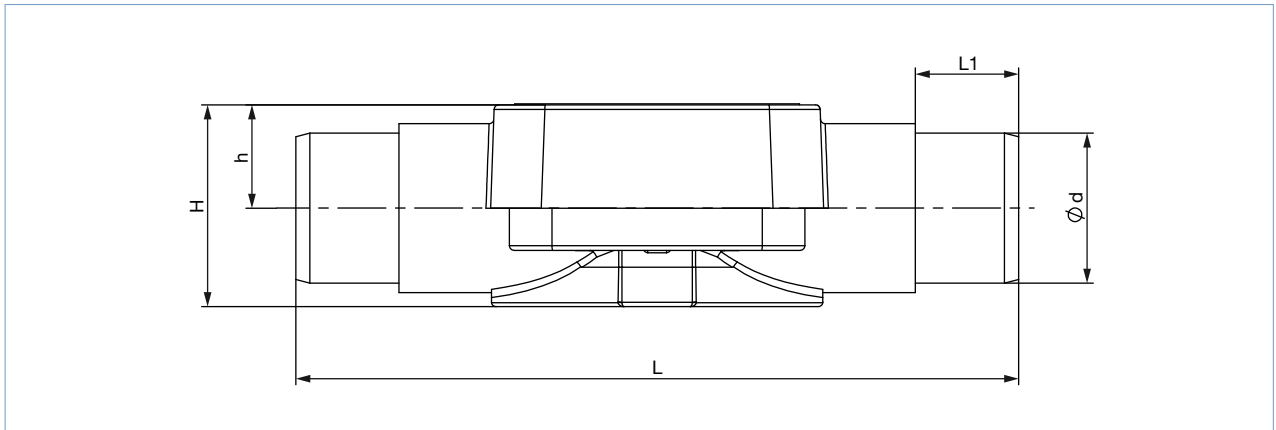
| Diaphragm size | Port connection DN | ØD1 | s | ØD2 | L | h | H | Product key ^{1.)} |
|--|--------------------|-------|------|------|-------|------|-------|----------------------------|
| DIN 32676 series B (ISO pipe) | | | | | | | | |
| 25 | 25 | 33.7 | 2 | 50.5 | 129 | 20.0 | 39.0 | TC44 |
| 40 | 40 | 48.3 | 2 | 64.0 | 161 | 28.6 | 55.0 | TC46 |
| 50 | 50 | 60.3 | 2 | 77.5 | 192 | 35.5 | 68.0 | TC47 |
| DIN 32676 series A (DIN pipe) | | | | | | | | |
| 15 | 15 | 19 | 1.5 | 34.0 | 110 | 13.5 | 25.0 | TD42 |
| 20 | 20 | 23 | 1.5 | 34.0 | 119 | 18.0 | 32.8 | TD43 |
| 25 | 25 | 29 | 1.5 | 50.5 | 129 | 20.0 | 39.0 | TD44 |
| 40 | 40 | 41 | 1.5 | 50.5 | 161 | 28.6 | 55.0 | TD46 |
| 50 | 50 | 53 | 1.65 | 64.0 | 192 | 35.5 | 68.0 | TD47 |
| ASME BPE | | | | | | | | |
| 8 | 3/8" | 9.53 | 0.89 | 25.0 | 89 | 9.6 | 18.6 | TG01 |
| 8 | 1/2" | 12.7 | 1.65 | 25.0 | 89 | 9.6 | 18.6 | TG02 |
| 15 | 3/4" | 19.05 | 1.65 | 25.0 | 102 | 13.5 | 23.0 | TG03 |
| 20 | 3/4" | 19.05 | 1.65 | 25.0 | 117 | 18.0 | 25.0 | TG03 |
| 25 | 1" | 25.4 | 1.65 | 50.5 | 114 | 18.0 | 40.0 | TG04 |
| 40 | 1 1/2" | 38.1 | 1.65 | 50.5 | 140 | 28.6 | 55.0 | TG05 |
| 50 | 2" | 50.8 | 1.65 | 64.0 | 159 | 35.5 | 68.0 | TG06 |
| 50 | 2 1/2" | 63.5 | 1.65 | 77.5 | 190 | 35.5 | 68.0 | TG07 |
| 65 | 2 1/2" | 63.5 | 1.65 | 77.5 | 249.2 | 43.0 | 82.0 | TG07 |
| 80 | 3" | 76.2 | 1.65 | 91 | 306.2 | 51.0 | 101.0 | TG08 |
| 100 | 4" | 101.6 | 2.11 | 119 | 352.2 | 63.5 | 123.5 | TG09 |
| BS 4825: Clamp BS 4825 - 3/pipe BS 4825 - 1 | | | | | | | | |
| 8 | 15 | 12.7 | 1.2 | 25 | 89 | 9.6 | 18.9 | TH42 |
| 15 | 20 | 19.05 | 1.2 | 25 | 102 | 13.5 | 25.0 | TH43 |
| 25 | 25 | 25.4 | 1.65 | 50.5 | 114 | 20.0 | 39.0 | TG04 |
| 40 | 40 | 38.1 | 1.65 | 50.5 | 140 | 28.6 | 55.0 | TG05 |
| 50 | 50 | 50.8 | 1.65 | 64.0 | 159 | 35.5 | 68.0 | TG06 |
| 50 | 65 | 63.5 | 1.65 | 77.5 | 190 | 35.5 | 68.0 | TG07 |
| Clamp 34.0 similar to DIN 32676 series B (ISO pipe) | | | | | | | | |
| 15 | 15 | 21.3 | 1.6 | 34 | 110 | 13.5 | 25.0 | TC42 |

1.) This information is part of the product key (see product enquiry form at the end of this data sheet)

4.10. Plastic body (PV; PD; PP) with spigot connection

Note:

Dimensions in mm, unless otherwise stated



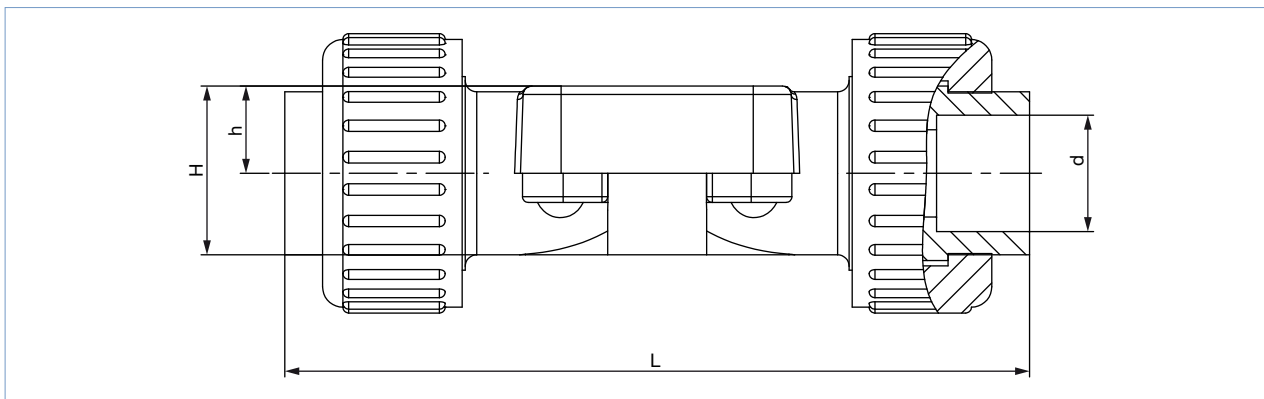
| Diaphragm size | Ød | Wall thick-ness | h | H | L | L1 | Product key ^{1.)} |
|------------------------------|----|-----------------|------|------|-----|----|----------------------------|
| PVC-U (PV) | | | | | | | |
| 15 | 20 | 2.5 | 15 | 29 | 124 | 16 | KS25 |
| 20 | 25 | 2.5 | 18.5 | 36 | 144 | 19 | KS26 |
| 25 | 32 | 3.5 | 22 | 43 | 154 | 22 | KS27 |
| 32 | 40 | 4 | 27 | 52.5 | 174 | 26 | KS28 |
| 40 | 50 | 5 | 33 | 65.5 | 194 | 31 | KS29 |
| 50 | 63 | 6.5 | 40 | 79 | 224 | 44 | KS30 |
| PVDF (PD) and PP (PP) | | | | | | | |
| 15 | 20 | 2.5 | 15 | 29 | 124 | 16 | SS25 |
| 20 | 25 | 2.5 | 18.5 | 36 | 144 | 19 | SS26 |
| 25 | 32 | 3.5 | 22 | 43 | 154 | 22 | SS27 |
| 32 | 40 | 4 | 27 | 52.5 | 174 | 26 | SS28 |
| 40 | 50 | 5 | 33 | 65.5 | 194 | 31 | SS29 |
| 50 | 63 | 6.5 | 40 | 79 | 224 | 44 | SS30 |

1.) This information is part of the product key (see product enquiry form at the end of this data sheet)

4.11. Plastic body (PV, PD, PP) with true union

Note:

Dimensions in mm, unless otherwise stated



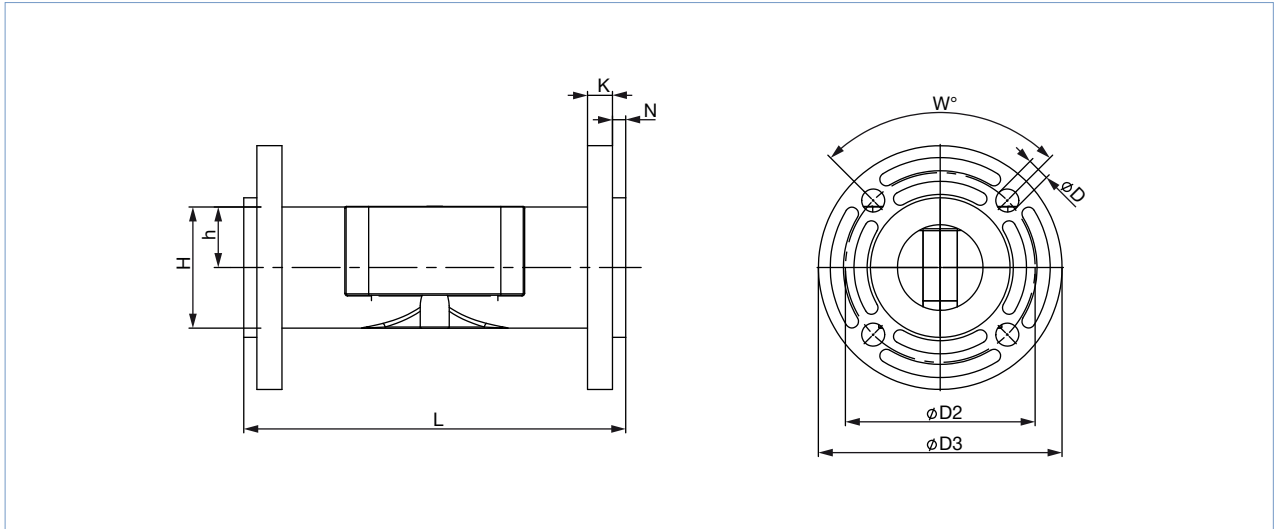
| Diaphragm size | L | h | H | Ød | Product key ^{1.)} |
|-------------------|-----|------|------|----|----------------------------|
| PVC-U (PV) | | | | | |
| 15 | 128 | 15 | 29 | 20 | KM25 |
| 20 | 152 | 18.5 | 36 | 25 | KM26 |
| 25 | 166 | 22 | 43 | 32 | KM27 |
| 32 | 192 | 27 | 52.5 | 40 | KM28 |
| 40 | 222 | 33 | 65.5 | 50 | KM29 |
| 50 | 266 | 40 | 79 | 63 | KM30 |
| PVDF (PD) | | | | | |
| 15 | 129 | 15 | 29 | 20 | SM25 |
| 20 | 150 | 18.5 | 36 | 25 | SM26 |
| 25 | 162 | 22 | 43 | 32 | SM27 |
| 32 | 184 | 27 | 52.5 | 40 | SM28 |
| 40 | 210 | 33 | 65.5 | 50 | SM29 |
| 50 | 248 | 40 | 79 | 63 | SM30 |
| PP (PP) | | | | | |
| 15 | 125 | 15 | 29 | 20 | SM25 |
| 20 | 146 | 18.5 | 36 | 25 | SM26 |
| 25 | 158 | 22 | 43 | 32 | SM27 |
| 32 | 181 | 27 | 52.5 | 40 | SM28 |
| 40 | 207 | 33 | 65.5 | 50 | SM29 |
| 50 | 245 | 40 | 79 | 63 | SM30 |

1.) This information is part of the product key (see product enquiry form at the end of this data sheet)

4.12. Plastic body (PV, PD, PP) with flange connection

Note:

Dimensions in mm, unless otherwise stated



| Diaphragm size | L | ØD2 | ØD3 | K | H | h | ØD | W | N | Product key ^{1.)} |
|--|-----|------|-----|----|-------|------|----|-------|-----|----------------------------|
| PVC-U (PV), PVDF (PD) and PP (PP) | | | | | | | | | | |
| 15 | 130 | 65.5 | 96 | 12 | – | – | 14 | 4x90° | 5.9 | FL24 |
| 20 | 150 | 75 | 105 | 14 | – | – | 14 | 4x90° | 6.9 | FL25 |
| 25 | 160 | 85 | 115 | 15 | – | – | 14 | 4x90° | 6.9 | FL26 |
| 32 | 180 | 100 | 140 | 17 | – | – | 18 | 4x90° | 7.9 | FL27 |
| 40 | 200 | 110 | 150 | 17 | – | – | 18 | 4x90° | 8 | FL28 |
| 50 | 230 | 125 | 165 | 18 | – | – | 18 | 4x90° | 9 | FL29 |
| 65 | 290 | 145 | 185 | 19 | 92 | 47 | 18 | 4x90° | 10 | FL30 |
| 80 | 310 | 160 | 200 | 36 | 107 | 50 | 18 | 8x45° | – | FF31 |
| 100 | 350 | 180 | 225 | 35 | 134.5 | 65.5 | 18 | 8x45° | – | FF31 |

1.) This information is part of the product key (see product enquiry form at the end of this data sheet)

5. Performance specifications

5.1. Flow characteristics

Note:

- The K_v values may vary slightly with different actuator sizes and diaphragm materials.
- Further K_v values on request
- Flow rate: K_v value water (m³/h) for elastomer diaphragm
- Measurement at +20 °C, 4 bar at valve inlet and 3 bar at valve outlet

Forged body (VS)

| Dia- phragm size | Port connection | | K_v value [m ³ /h] | | | | | |
|------------------------|-----------------|--------|--|---|-----------------------------------|-----------------------|---------------------|---------------------|
| | | | DIN EN ISO 1127 ISO 4200 DIN 11866 series B | DIN 11850 series 2 DIN 11866 series A DIN EN 10357 series A | ASME BPE DIN 11866 series C | DIN 11850 series 0 | BS4825 | SMS3008 |
| DN | [mm] | [inch] | [m ³ /h] | [m ³ /h] | [m ³ /h] | [m ³ /h] | [m ³ /h] | [m ³ /h] |
| 8 | 6 | ¼" | – | – | – | 1.1 | – | – |
| 8 | 8 | ¼" | 1.5 | – | 0.7 | 1.7 | 0.5 | – |
| 8 | 10 | ⅜" | 1.5 | 1.5 | 1.6 | – | 1.4 | – |
| 8 | 15 | ½" | – | – | 1.5 | – | – | – |
| 15 | 10 | ⅜" | 5.5 | 3.5 | – | – | – | – |
| 15 | 15 | ½" | 6.5 | 6.5 | 3.1 | – | 3.7 | – |
| 15 | 20 | ¾" | – | – | 6.5 | – | – | – |
| 20 | 20 | ¾" | 12.5 | 12.4 | 8.4 | – | 8.9 | – |
| 25 | 25 | 1" | 18 | 20 | 15.5 | – | 15.5 | 16 |
| 40 | 32 | 1¼" | – | 34 | – | – | – | – |
| 40 | 40 | 1½" | 41 | 40 | 37 | – | 37 | 38 |
| 50 | 50 | 2" | 66 | 66 | 66 | – | 66 | 66 |
| 50 | 65 | 2½" | – | – | 66 | – | 66 | 66 |

Tube valve body (VP)

| Dia- phragm size | Port connection | | K_v value [m ³ /h] | | |
|------------------------|-----------------|--------|---|---|-----------------------------------|
| | | | DIN EN ISO 1127 ISO 4200 DIN 11866 series B | DIN 11850 series 2 DIN 11866 series A DIN EN 10357 series A | ASME BPE DIN 11866 series C |
| DN | [mm] | [inch] | [m ³ /h] | [m ³ /h] | [m ³ /h] |
| 8 | 8 | ¼" | 1.9 | – | – |
| 8 | 10 | ⅜" | – | 1.9 | – |
| 8 | 15 | ½" | – | – | 1.8 |
| 15 | 10 | ⅜" | – | – | 7.1 |
| 15 | 15 | ½" | 7.2 | 7.4 | – |
| 15 | 20 | ¾" | – | 7.4 | – |
| 20 | 20 | ¾" | 13.5 | – | – |
| 20 | 25 | 1" | – | 14.9 | 12.8 |
| 25 | 32 | 1¼" | – | 22.3 | – |
| 25 | 25 | 1" | 20.8 | – | – |
| 32 | 40 | 1½" | – | 34.8 | 31 |
| 40 | 40 | 1½" | 47.9 | – | – |
| 40 | 50 | 2" | – | 46.2 | 43 |
| 50 | 50 | 2" | 69.7 | – | – |
| 65 | 80 | 3" | – | – | 75 |
| 80 | 100 | 4" | – | – | 145 |

Cast body (VG)

| Diaphragm size | Port connection | | K _v value |
|----------------|-----------------|--------|----------------------|
| DN | [mm] | [inch] | [m ³ /h] |
| 8 | 8 | ¼" | 1 |
| 15 | 15 | ½" | 5.6 |
| 20 | 20 | ¾" | 10.7 |
| 25 | 25 | 1" | 14.6 |
| 40 | 40 | 1½" | 35 |
| 50 | 50 | 2" | 47 |

Plastic body (PV; PD; PP)

| Diaphragm size | Port connection | | K _v value |
|----------------|-----------------|--------|----------------------|
| DN | [mm] | [inch] | [m ³ /h] |
| 15 | 15 | ½" | 3 |
| 20 | 20 | ¾" | 7 |
| 25 | 25 | 1" | 11.4 |
| 32 | 32 | 1¼" | 17 |
| 40 | 40 | 1½" | 24.5 |
| 50 | 50 | 2" | 41.5 |

5.2. Medium pressure

Information for control function A

Note:


- For low operating pressures, optional versions with reduced spring force (**EC04**) are recommended.
- Pressure data [bar]: Overpressure to atmospheric pressure. Valve closes dynamically against max. operating pressure.
- Information for control function B and I on request.

| Diaphragm size | Actuator size Ø | Pilot pressure | Max. operating pressure for seal material | |
|----------------|-----------------|----------------|---|--|
| | | | EPDM, FKM | PTFE/EPDM, advanced PTFE/EPDM, GYLON®/EPDM laminated |
| DN | [mm] | [bar] | [bar] | [bar] |
| 8 | 40(C) | 5.0...7 | 10 | 10 |
| 15 | 50(D) | 5.0...7 | 8.5 | 5 |
| | 63(E) | 5.0...7 | 10 | 10 |
| 20 | 63(E) | 5.5...7 | 10 | 5 |
| | 80(F) | 5.0...7 | 10 | 10 |
| 25 | 80(F) | 5.5...7 | 10 | 7.5 |
| 32 | 100(G) | 5.5...7 | 10 | 8 |
| 40 | 100(G) | 5.5...7 | 6.5 | 6 ^{1.)} |
| | 125(H) | 5.5...7 | 10 | 10 |
| 50 | 125(H) | 5.5...7 | 8 | 7 |
| 65 | 175(K) | 5.0...6 | 8 | 5 |
| 80 | 175(K) | 5.0...6 | 5 | 4.5 |
| | 225(L) | 5.0...6 | 10 | 7 ^{2.)} |
| 100 | 225(L) | 5.0...6 | 8 | 4 |

1.) Max. operating pressure for GYLON®/EPDM laminated is 4 bar

2.) Max. operating pressure for GYLON®/EPDM laminated is 8.5 bar

6. Product accessories

| Electrical position feedback | |
|---|--|
| Type 8697 ▶ Actuator size Ø 40...225 mm | Description |
|  | <p>The position feedback Type 8697 is designed for integrated mounting on process valves of the CLASSIC series and especially for the requirements of hygienic process environments. Mechanical or inductive limit switches detect the valve position.</p> <p>Features</p> <ul style="list-style-type: none">• Compact design• LED position indicator• Mechanical or inductive limit switches for end position registering• Easy to clean chemically resistant housing featuring IP65/IP67, 4X Rating• Optional intrinsically safe version acc. to ATEX/IECEX <p>Customer benefits</p> <ul style="list-style-type: none">• Easy and quick installation• High level of signal reliability thanks to self adjusting limit switches• Minimised space requirement in the plant piping for more flexibility in plant design |

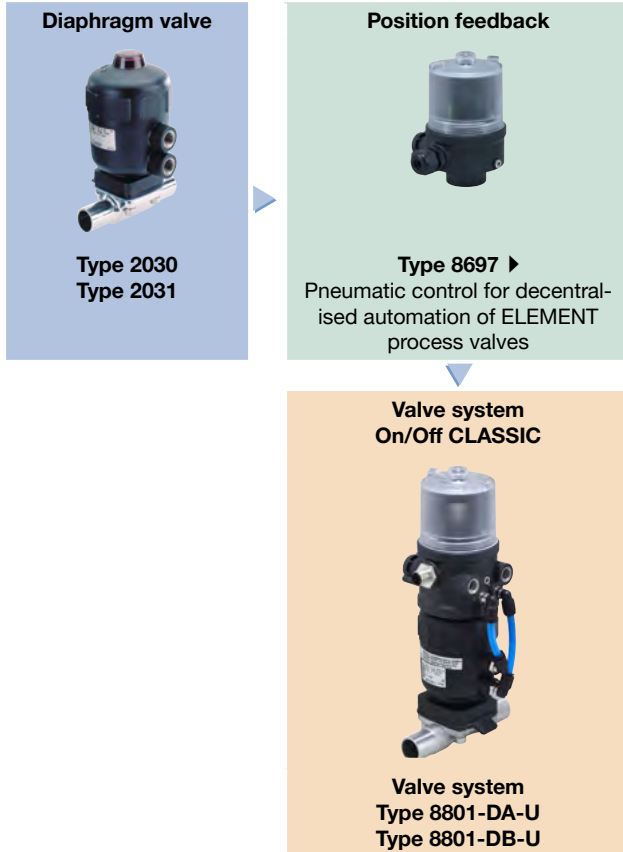
7. Networking and combination with other Bürkert products

The On/Off CLASSIC valve system, Type 8801-DA (alternatively 8801-DB), consists of diaphragm valve, Type 2030 (alternatively 2031), and position feedback, Type 8697.

Note:

- You order two components and receive a completely assembled and tested valve.

Example:



8. Ordering information

8.1. Bürkert eShop – Easy ordering and quick delivery



Bürkert eShop – Easy ordering and fast delivery

You want to find your desired Bürkert product or spare part quickly and order directly? Our online shop is available for you 24/7. Sign up and enjoy all the benefits.

[Order online now](#)

8.2. Bürkert product filter



Bürkert product filter – Get quickly to the right product

You want to select products comfortably based on your technical requirements? Use the Bürkert product filter and find suitable articles for your application quickly and easily.

[Try out our product filter](#)

8.3. Bürkert product enquiry form

Bürkert product enquiry form: Would you like to make a specific product enquiry based on your technical requirements? Please use our product enquiry form **at the end of this data sheet**. There you will find all the information relevant to your Bürkert contact person that will help us to process your enquiry in the best possible way.

Bürkert specification key: In our product enquiry form you will find a complete explanation of the composition of our specification key. You will find our product enquiry form **at the end of this data sheet**.

Bürkert – Close to You

For up-to-date addresses
please visit us at
www.burkert.com

DTS 1000450587 EN Version: G Status: RL (released | freigegeben | validé) printed: 08.04.2022



Product Enquiry Form
Diaphragm valve with straight
way valve, T-valve or tank bottom
valve



Product Enquiry Form - Diaphragm valve with globe valve, T-valve or
tank bottom valve

Thank you for your interest in our products! In order to provide you with optimum advice, please fill out the following form and send it to your **Bürkert representative** or e-mail address: info@burkert.com. All information submitted will of course be kept strictly confidential.

Please fill in the **required fields!** *

*Note: The interactive functions of this PDF may be restricted depending on the PDF reader used.

| Personal Information | | | |
|----------------------|--|------------------------|--|
| Company | | Contact person | |
| Customer no. | | Department | |
| Street | | Postcode / Town | |
| Telephone no. | | Email | |

| Delivery |
|------------------------|
| Required delivery date |

| Operating data | | | | | |
|---------------------------|------------------|-------|-----|-----|-----|
| Process medium | | | | | |
| Medium | Liquid | Steam | Gas | CIP | SIP |
| Medium temperature | T _{med} | | | | |
| Medium pressure | P _{med} | | | | |

| Valve data | | | | |
|--|-------------------------|---|--|----------------------------|
| Surface quality (valid for stainless steel) | Standard: | Ra 0.5 internal | Ra 0.38 e-pol internal | Plastic |
| | Non standard: | internal | external | |
| Body material | | | | |
| Body design | 2 way valve | T-valve | Tank bottom valve | |
| Seal material | EPDM | PTFE | GYLON® | others |
| Nominal diameter | DN | | | |
| Pilot pressure | min. | | max. | |
| Connection | Weld end | EN ISO 1127 / ISO 4200 DIN 11866 R. B | DIN 11850 DIN 11866 R. A | ASME BPE DIN 11866 R. C |
| | Clamp connection | DIN 32676 R. B (ISO tube (ISO4200)) | DIN 32676 R. A (DIN tube (DIN11850)) | ASME BPE |
| | Plastic | Flange | Threated | Spigot |
| | Others | | | |

| Article no. (if known) |
|---|
| |
| Are you interested in ordering a complete Valve System Open/Close or Continuous? For more information on Valve Systems Open/Close or Continuous, please visit our Website ▶. |

| Additional Requirements / Comment |
|-----------------------------------|
| |

DTS 1000450587 EN Version: G Status: RL (released | freigegeben | valide) printed: 08.04.2022

Specification key

Note:





- Please fill out this Product Inquiry Form as completely as possible!
- For more information on Valve Systems Open/Close or Continuous, please visit our **Website** ►.
- See **Specification key - Examples** how to fill in the specification key.





| Key Feature | Quantity | Type | Control function | Nominal diameter diaphragm | Diaphragm material | Body material | Port connection | Port connection | Actuator version | Actuator size | Pilot air port | Actuator | Variable | Variable | Variable | |
|---------------|----------|------|------------------|----------------------------|--------------------|---------------|-----------------|-----------------|------------------|---------------|----------------|----------|----------|----------|----------|--|
| | | TYP | SF | DN | DWST | WKST | LTA1 | LTA2 | ANTA | ANTG | STLA | ANTR | VAR1 | VAR2 | VAR3 | |
| Key No. → | | 1 | 2 | 3 | 4 | 5 | 6 | 6 | 7 | 8 | 9 | 10 | V1 | V2 | V3 | |
| 1 Selection → | | | | | | | | | | | | | * | | | |
| | Comments | | | | | | | | | | | | | | | |
| 2 Selection → | | | | | | | | | | | | | * | | | |
| | Comments | | | | | | | | | | | | | | | |
| 3 Selection → | | | | | | | | | | | | | * | | | |
| | Comments | | | | | | | | | | | | | | | |
| 4 Selection → | | | | | | | | | | | | | * | | | |
| | Comments | | | | | | | | | | | | | | | |
| 5 Selection → | | | | | | | | | | | | | * | | | |
| | Comments | | | | | | | | | | | | | | | |
| 6 Selection → | | | | | | | | | | | | | * | | | |
| | Comments | | | | | | | | | | | | | | | |

DTS 1000450587 EN Version: G Status: RL (released | freigegeben | valide) printed: 08.04.2022

Specification key - Examples

| 2 way diaphragm valve | | | | | |
|--|--|---|---|--|--|
| Type 2030 ▶ CLASSIC with plastic body  | Type 2031 ▶ CLASSIC with stainless steel body  | Type 2063 ▶ INOX with stainless steel body  | Type 2103 ▶ ELEMENT with stainless steel or plastic body  | Type 3232 ▶ Manually operated with plastic body  | Type 3233 ▶ Manually operated with stainless steel body  |

| T-diaphragm valve | | | |
|--|---|---|--|
| Type 2032 ▶ CLASSIC T-valve  | Type 2064 ▶ INOX T-valve  | Type 2104 ▶ ELEMENT T-valve  | Type 3234 ▶ Manually operated T-valve  |

| Tank bottom diaphragm valve | | | |
|--|---|---|---|
| Type 2033 ▶ CLASSIC Tank bottom valve  | Type 2065 ▶ INOX Tank bottom valve  | Type 2105 ▶ ELEMENT Tank bottom valve  | Type 3235 ▶ Manually operated tank bottom valve  |

| | Type | Control function | Nominal diameter diaphragm | Diaphragm material | Body material | Port connection | Port connection | Actuator version | Actuator size | Pilot air port | Actuator | Variable | Variable | Variable |
|-------------|------|------------------|----------------------------|--------------------|---------------|-----------------|-----------------|------------------|---------------|----------------|----------|----------|----------|----------|
| Key Feature | TYP | SF | DN | DWST | WKST | LTA1 | LTA2 | ANTA | ANTG | STLA | ANTR | VAR1 | VAR2 | VAR3 |
| Key No. → | 1 | 2 | 3 | 4 | 5 | 6 | 6 | 7 | 8 | 9 | 10 | V1 | V2 | V3 |

| 2 way diaphragm valve | | | | | | | | | | | | | | |
|-----------------------------|------|---|------|----|----|------|------|---|---|------|------|------|------|--|
| Type 2030 CLASSIC | 2030 | A | 20.0 | AD | PV | KM26 | - | C | E | - | - | | | |
| Type 2031 CLASSIC | 2031 | A | 20.0 | AD | VS | SA93 | - | C | E | - | - | NK52 | NO14 | |
| Type 2063 INOX | 2063 | A | 20.0 | AD | VS | SA93 | - | H | M | - | - | NK52 | NO14 | |
| Type 2103 ELEMENT | 2103 | A | 20.0 | AD | PV | KM26 | - | G | M | FA01 | - | | | |
| Type 2103 ELEMENT | 2103 | A | 20.0 | AD | VS | SA93 | - | G | M | FA01 | - | NK52 | NO14 | |
| Type 3232 | 3232 | - | 20.0 | AD | PV | KM26 | - | - | - | - | D050 | | | |
| Type 3233 | 3233 | - | 20.0 | AD | VS | SA93 | - | - | - | - | D051 | NK52 | NO14 | |
| T-diaphragm valve | | | | | | | | | | | | | | |
| Type 2032 CLASSIC | 2032 | A | 20.0 | AD | VH | SODH | SA93 | D | E | - | - | NK52 | NO14 | |
| Type 2064 INOX | 2064 | A | 20.0 | AD | VH | SODH | SA93 | - | M | - | - | NK52 | NO14 | |
| Type 2104 ELEMENT | 2104 | A | 20.0 | AD | VH | SODH | SA93 | - | M | FA01 | - | NK52 | NO14 | |
| Type 3234 | 3234 | - | 20.0 | AD | VH | SODH | SA93 | - | - | - | D050 | NK52 | NO14 | |
| Tank bottom diaphragm valve | | | | | | | | | | | | | | |
| Type 2033 CLASSIC | 2033 | A | 20.0 | AD | VH | SA93 | - | D | F | - | - | NK52 | NO14 | |
| Type 2065 INOX | 2065 | A | 20.0 | AD | VH | SA93 | - | - | M | - | - | NK52 | NO14 | |
| Type 2105 ELEMENT | 2105 | A | 20.0 | AD | VH | SA93 | - | - | M | FA01 | - | NK52 | NO14 | |
| Type 3235 | 3235 | - | 20.0 | AD | VH | SA93 | - | - | - | - | D050 | NK52 | NO14 | |

1.) NK52, NOxx only for stainless steel bodies

DTS 1000450587 EN Version: G Status: RL (released | freigegeben | valide) printed: 08.04.2022

Key Legend

Note:

- Other versions on request
- Available Type sizes see corresponding data sheet

| Key no. 2: Control function (SF) | | | | Key no. 8: Actuator size (ANTG) | |
|--|---|----|-----|---|--|
| A | Closed with spring force | | | B | ø 32 |
| B | Open with spring force | | | C | ø 40 |
| I | Without pressure spring | | | D | ø 50 |
| Key no. 3: Nominal diameter diaphragm (DN) | | | | E | ø 63 |
| 8 | 25 | 50 | 100 | F | ø 80 |
| 15 | 32 | 65 | | G | ø 100 |
| 20 | 40 | 80 | | H | ø 125 |
| Key no. 4: Diaphragm material (DWST) | | | | K | ø 175 |
| AD | EPDM | | | L | ø 225 |
| EA | PTFE/EPDM | | | M | ø 70 |
| EU | Advanced PTFE/EPDM laminated | | | N | ø 90 |
| ER | Gylon®/EPDM laminated | | | P | ø 130 |
| Key no. 5: Body material (WKST) | | | | Key no. 9: Pilot air port (ELEMENT) (STLA) | |
| PD | PVDF (Polyvinylidene fluoride) | | | FA01 | Pilot air port Push-In 6/4, ¼" |
| PP | PP (Polypropylene) | | | FA02 | Pilot air port G½ |
| PV | PVC-U (Polyvinyl chloride) | | | FA03 | Interface ELEMENT control |
| VG | Stainless steel precision casting 1.4435/316L | | | Key no. 10: Actuator (ANTR) | |
| VH | Stainless steel block material 1.4435/316L | | | D050 | Handwheel and attachment PPS |
| VI | Stainless steel block material 1.4435 BN2/316L ASME BPE | | | D051 ^{1.)} | Handwheel PPS and attachment St. St. |
| VP | Stainless steel tube 1.4435 BN2/316L | | | D052 ^{2.)} | Handwheel and attachment St. St. |
| VS | Stainless steel-forged 1.4435 BN2/316L ASME BPE | | | 1.) Alternatively D058 | |
| Key no. 6: Port connection (LTA1, LTA2) | | | | 2.) Alternatively D059 or D102 | |
| Listed in detail below | | | | Key no. V1, V2, ...: Variable code (VAR1, VAR2, VAR3) | |
| Key no. 7: Actuator version (ANTA) | | | | NK52 ^{3.)} | Acceptance test certificate 3.1 according to EN 10204 |
| C | PA actuator (only CLASSIC) | | | NO14 ^{3.)} | Mechanically polished Ra ≤ 0.5 µm (ASME BPE SF1) |
| D | PPS actuator (only CLASSIC) | | | NO17 ^{3.)} | Electropolished Ra ≤ 0.38 µm (ASME BPE SF4 / DIN HE4) |
| G | ELEMENT design actuator (only ELEMENT) | | | NO06 ^{3.)} | Mechanically polished Ra ≤ 0.76 µm (ASME BPE SF3 / DIN H2) |
| H | St. St. actuator (only INOX) | | | NO16 ^{3.)} | Electropolished Ra ≤ 0.6 µm (ASME BPE SF6) |
| | | | | EC04 | Reduced spring force |
| | | | | 3.) NK52, NOxx only for stainless steel bodies | |

Key no. 6: Port connection (LTA)

| Weld connection | | | | | | | | |
|-----------------|---------------------------------------|----------------|----------------|----------------|-------------------------------|----------------|----------------|-------------------------|
| DN [mm] | EN ISO 1127 / ISO 4200 DIN 11866 R. B | SMS 3008 | DIN 11850 R. 0 | DIN 11850 R. 1 | DIN 11850 R. 2 DIN 11866 R. A | DIN 11850 R. 3 | BS4825 | ASME BPE DIN 11866 R. C |
| 4 | - | - | SC40-6.0x1.0 | - | - | - | - | - |
| 6 | SA78-10.2x1.6 | - | SC41-8.0x1.0 | - | - | - | - | SA89-3.17x0.56 |
| 8 | SA40-13.5x1.6 | - | SC42-10.0x1.0 | - | - | - | SODB-6.35x1.2 | SA90-6.35x0.89 |
| 10 | SA41-17.2x1.6 | - | - | SF40-12.0x1.0 | SD40-13.0x1.5 | SE40-14.0x2.0 | SODC-9.53x1.2 | SA91-9.53x0.89 |
| 15 | SA42-21.3x1.6 | SA58-12.0x1.0 | SC43-18.0x1.5 | SF41-18.0x1.0 | SD42-19.0x1.5 | SE42-20.0x2.0 | SODD-12.7x1.2 | SA92-12.7x1.65 |
| 20 | SA43-26.9x1.6 | SA59-18.0x1.0 | SC44-22.0x1.5 | SF42-22.0x1.0 | SD43-23.0x1.5 | SE43-24.0x2.0 | SODE-19.05x1.2 | SA93-19.05x1.65 |
| 25 | SA44-33.7x2.0 | SA60-25.0x1.2 | SC45-28.0x1.5 | SF43-28.0x1.0 | SD44-29.0x1.5 | SE44-30.0x2.0 | - | SODF-25.4x1.65 |
| 32 | SA45-42.4x2.0 | SA61-33.7x1.2 | SC46-34.0x1.5 | SF44-34.0x1.0 | SD45-35.0x1.5 | SE45-36.0x2.0 | - | - |
| 40 | SA46-48.3x2.0 | SA62-38.0x1.2 | SC47-40.0x1.5 | SF45-40.0x1.0 | SD46-41.0x1.5 | SE46-42.0x2.0 | - | SODH-38.1x1.65 |
| 50 | SA47-60.3x2.0 | SA63-51.0x1.2 | SC48-52.0x1.5 | SF46-52.0x1.0 | SD47-53.0x1.5 | SE47-54.0x2.0 | - | SODI-50.8x1.65 |
| 65 | SA48-76.1x2.0 | SA64-63.5x1.6 | - | - | SD48-70.0x2.0 | - | - | SODJ-63.5x1.65 |
| 80 | SA49-88.9x2.3 | SA65-76.1x1.6 | - | - | SD49-85.0x2.0 | - | - | SODK-76.2x1.65 |
| 100 | SA39-114.3x2.3 | SA66-101.6x2.0 | - | - | SD50-104.0x2.0 | - | - | SODL-101.6x2.11 |

Product Enquiry Form
Diaphragm valve with straight
way valve, T-valve or tank bottom
valve



| Clamp connection | | | | | |
|------------------|---|--------------------------------------|-------------------------------------|----------------------------|---|
| DN [mm] | Clamp 34,0 similar to DIN 32676 R. B (ISO tube (ISO4200)) | DIN 32676 R. A (DIN tube (DIN11850)) | DIN 32676 R. B (ISO tube (ISO4200)) | ASME BPE | BS 4825 (Clamp BS 4825-3, tube BS 4825-1) |
| 8 | TC51-13.5×1.6 Cl: 34.0 | TD40-10.0×1.0 Cl: 25.0 | TC40-13.5×1.6 Cl: 25.0 | TG 50-6.35×0.89 Cl: 25.0 | - |
| 10 | TC41-17.2×1.6 Cl: 34.0 | TD41-13.0×1.5 Cl: 34.0 | TC53-17.2×1.6 Cl: 25.0 | TG 01-9.53×0.89 Cl: 25.0 | - |
| 15 | TC42-21.3×1.6 Cl: 34.0 | TD42-19,0×1.5 Cl: 34.0 | TC52-21.3×1.6 Cl: 50.5 | TG 02-12.7×1.65 Cl: 25.0 | TH42-12.7×1.2 Cl: 25.0 |
| 20 | - | TD43-23.0×1.5 Cl: 34.0 | TC43-26.9×1.6 Cl: 50.5 | TG 03-19.05×1.65 Cl: 25.0 | TH43-19.05×1.2 Cl: 25.0 |
| 25 | - | TD44-29.0×1.5 Cl: 50.5 | TC44-33.7×2.0 Cl: 50.5 | TG 04-25.4×1.65 Cl: 50.5 | - |
| 32 | - | - | - | - | - |
| 40 | - | TD46-41.0×1.5 Cl: 50.5 | TC46-48.3×2.0 Cl: 64.0 | TG 05-38.1×1.65 Cl: 50.5 | - |
| 50 | - | TD47-53.0×1.5 Cl: 64.0 | TC47-60.3×2.0 Cl: 77.5 | TG 06-50.8×1.65 Cl: 64.0 | - |
| 65 | - | - | TC48-76.1×2.0 Cl: 91.0 | TG 07-63.5×1.65 Cl: 77.5 | - |
| 80 | - | - | TC49-88.9×2.3 Cl: 106.0 | TG 08-76.2x,65 Cl: 91.0 | - |
| 100 | - | - | TC50-114.3×2.3 Cl: 130.0 | TG 09-101.6×2.11 Cl: 119.0 | - |

| Plastic connection | | | | | |
|--------------------|---|--|-------------------------------------|--|--|
| DN [mm] | Welded connection socket (only WKST=PD, PP) | Welded connection threaded socket (only WKST=PD, PP) | Adhesive bond socket (only WKST=PV) | Adhesive bond threaded socket (only WKST=PV) | Loose-type flange (up to DN65) Fixed flange (from DN80) |
| 15 | SS25 - ø20 | SM25 - ø20 | KS25 - ø20 | KM25 - ø20 | FL24 |
| 20 | SS26 - ø25 | SM26 - ø25 | KS26 - ø25 | KM26 - ø25 | FL25 |
| 25 | SS27 - ø32 | SM27 - ø32 | KS27 - ø32 | KM27 - ø32 | FL26 |
| 32 | SS28 - ø40 | SM28 - ø40 | KS28 - ø40 | KM28 - ø40 | FL27 |
| 40 | SS29 - ø50 | SM29 - ø50 | KS29 - ø50 | KM29 - ø50 | FL28 |
| 50 | SS30 - ø63 | SM30 - ø63 | KS30 - ø63 | KM30 - ø63 | FL29 |
| 65 | - | - | - | - | FL30 |
| 80 | - | - | - | - | FF31 |
| 100 | - | - | - | - | FF32 |

DTS 1000450587 EN Version: G Status: RL (released | freigegeben | valide) printed: 08.04.2022

Control heads / pneumatic control for on/off process valves of the CLASSIC series

For actuator size ø40 to 225 mm

Electrical position feedback Type 8697 ▶



- Optical position indicator
- Mechanical or inductive limit switches for end position registering
- Optional intrinsically safe version acc. to ATEX / IECEx

Electrical connection

Cable gland

M12 connector^{1.)}

Number of end position feedback switches

2x Micro or inductive

Approvals

ATEX cat. 3GD, IECEx

ATEX cat. 2DG, IECEx

Without

Position feedback switch

Micro switch 24 V DC

Micro switch 50...225 V DC/AC

Inductive switch 3-wire PNP

Inductive switch 2-wire NAMUR

Inductive switch 2-wire 24 V DC

Without

1.) Applicable only with inductive switch 3-wire PNP