

VANESSA SERIES 30,000
TRIPLE OFFSET VALVES

Bi-Directional Repeatable Zero Leakage

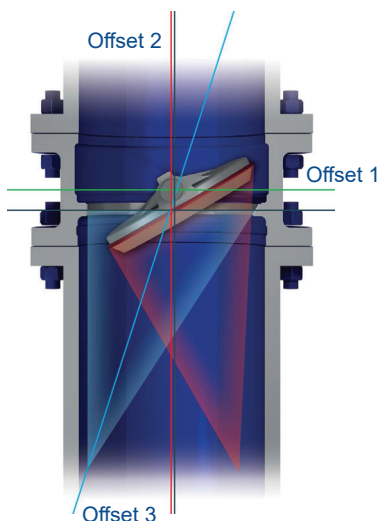
Triple offset construction minimizes wear, offers bi-directional zero leakage, and reduces valve maintenance across many applications.

Designed to keep your process operating reliably and efficiently

Enhance operations with a design that eliminates any rubbing action of the sealing elements during the 90 degrees of rotation.

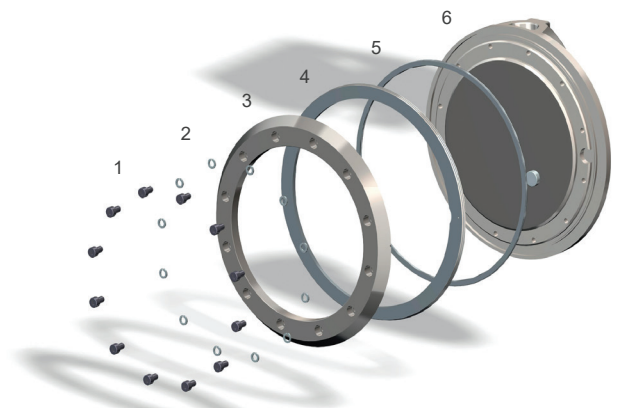
Triple Offset Valve Technology

The Vanessa valve is Torque Seated, Not Position Seated like traditional butterfly valves, this means the Vanessa valve strokes more than 90 deg. It also shares the same cone-to-cone principle with a globe valve, but sealing is performed by quarter turn rotation.



Sealing

Seal rings are easily interchangeable thanks to their self-centering ability and the presence of reference pins which simplify assembly. Seal rings are offered in different materials based on your application.



1. Bolts 2. Washers 3. Disc retainer 4. Seal ring 5. Spiral wound gasket 6. Disc and reference pin

VANESSA™

R.E. MASON

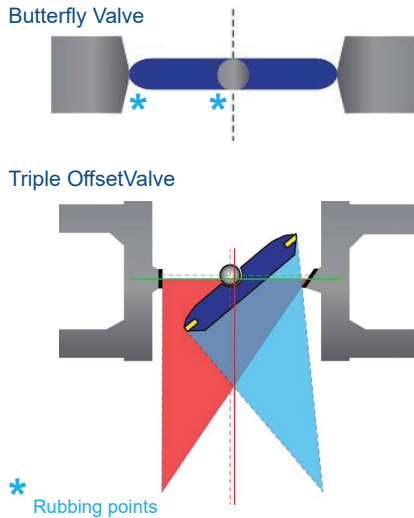
Emerson Impact Partner

EMERSON

Reduce Downtime with Positive Isolation & Zero Leakage*

Non-rubbing Rotation

Eliminating contact between seat and seal during opening-closing means extending the life of the sealing elements and the valve altogether.



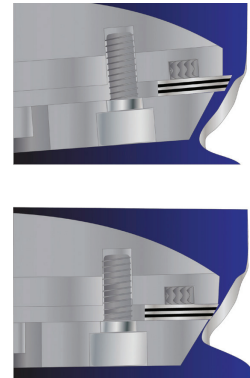
Torque Seating & Solid Seal Ring

The seating force is generated by externally applied torque rather than by mechanical interference, so Vanessa valves can handle high pressure classes and provide reliable highly controlled operating torque. The seal ring's elasticity and radial compression enable a contact pressure to be uniformly distributed around the seating surface, guaranteeing zero leakage.



Metal-to-Metal Seating

Vanessa's cone-to-cone concept requires metal-to-metal seating in order to handle more severe applications. We use Stellite® grade 21 overlaid seats to provide resistance to abrasion, wear and corrosion caused by the fluid, and a resilient seal ring in Duplex as a minimum with high mechanical resistance.



* Zero leakage means no visible leakage when tested at high pressure with water and low pressure with air according to existing international standards

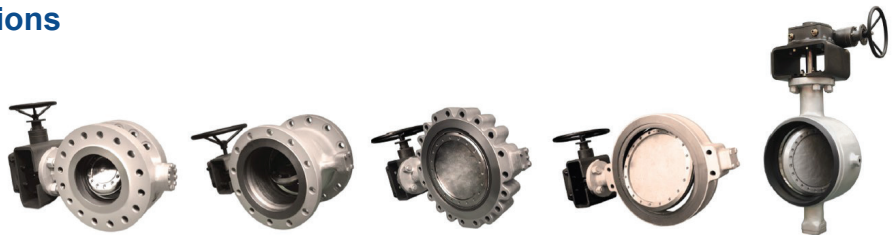
Lower Your Costs with a Lighter, Low/Zero Maintenance Valve

The valve's compact design makes it lighter when compared to most ball valves. This ensures a smaller footprint and a lower initial cost which, when added to the low/zero maintenance benefits, will ensure reduced total cost of ownership.

One Product, Hundreds Of Applications

From cryogenic up to extremely high temperatures, Emerson offer solutions to critical and non-critical applications. Suitable from full vacuum to over 3,600 psi. Vanessa Series 30,000 valves are available in sizes between 3" and 120" and can be configured in wafer, lugged, double flanged and buttweld body styles across virtually all bills of materials. Vanessa also has ANSI 150# all the way to 1500# rated bodies.

Designed to handle fluids ranging from H2 gas to high viscosity liquids, from food grade to toxic and corrosive. Vanessa's seating and rotational characteristics guarantee superior tightness.



	Basic	Class 1500	Cryogenic	Cryogenic Top Entry	High Temperature	Molten Salt
Double Flanged Short	•	•	•		•	
Double Flanged Long	•					
Lug	•		•		•	
Wafer	•					
Buttweld	•	•	•	•		•



For more information,
Contact your Account Manager
or call (704) 375 4464

(704) 375 4464 | (804) 858 5800 | remason.com
 NORTH CAROLINA | SOUTH CAROLINA | VIRGINIA

Large Inventory Locally Stocked
 Ready for assembly and immediate shipment



Emerson Impact Partner

